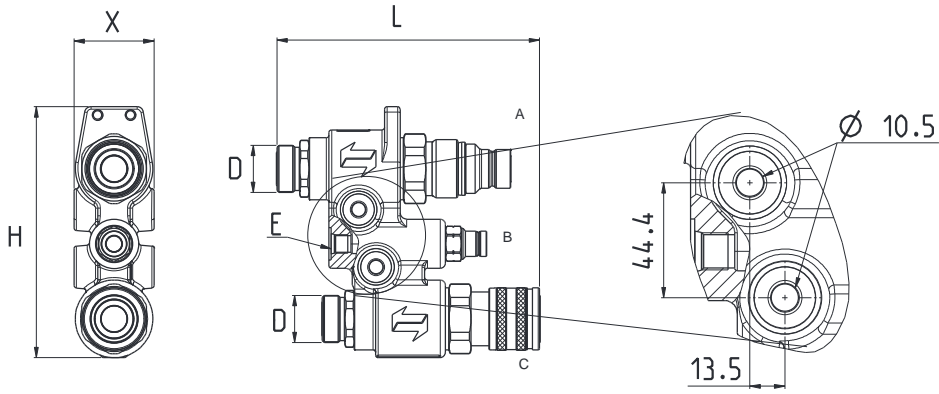



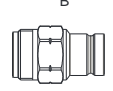
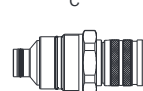


4BD4FH



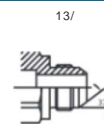
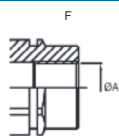
Configuration - Configurazione - Konfiguration - Configuration

Size Base BG Taille	Thread Filetto Anschluss Filetage	Part Number Codice Articolo Artikelnummer Désignation	D	E	L	H	X	Weight Peso Gewicht Poids	Package Confezione Verpackung Colis
mm inch					mm (in)	mm (in)	mm (in)	g (lbs)	No.
12.5 1/2"	F	4BD4FH08-11/12S		9/16" - 18 UNF 2B Female	179 (7.05)	194 (7.64)	62 (2.44)		
12.5 1/2"	F	4BD4FH08-11/34S		9/16" - 18 UNF 2B Female	202 (7.95)	194 (7.64)	62 (2.44)		
12.5 1/2"	F	4BD4FH08-13/34S		9/16" - 18 UNF 2B Female	188 (7.40)	194 (7.64)	62 (2.44)		
12.5 1/2"	11/	4BD4FH08-11/12S	13/16"-16 UN 2A Male	-	179 (7.05)	194 (7.64)	62 (2.44)		
12.5 1/2"	11/	4BD4FH08-11/34S	1-3/16"-12 UN 2A Male	-	202 (7.95)	194 (7.64)	62 (2.44)		
12.5 1/2"	13/	4BD4FH08-13/34S	1-1/16"-12 UN 2A Male	-	188 (7.40)	194 (7.64)	62 (2.44)		
20 3/4"	F	4BD4FH12-11/12S		9/16" - 18 UNF 2B Female	199 (7.83)	194 (7.64)	62 (2.44)		
20 3/4"	F	4BD4FH12-11/34S		9/16" - 18 UNF 2B Female	203 (7.99)	194 (7.64)	62 (2.44)		
20 3/4"	F	4BD4FH12-13/34S		9/16" - 18 UNF 2B Female	189 (7.44)	194 (7.64)	62 (2.44)		
20 3/4"	11/	4BD4FH12-11/12S	13/16"-16 UN 2A Male		199 (7.83)	194 (7.64)	62 (2.44)		
20 3/4"	11/	4BD4FH12-11/34S	1-3/16"-12 UN 2A Male		203 (7.99)	194 (7.64)	62 (2.44)		
20 3/4"	13/	4BD4FH12-13/34S	1-1/16"-12 UN 2A Male		189 (7.44)	194 (7.64)	62 (2.44)		

Accessories - Accessori - Zubehör - Accessoires

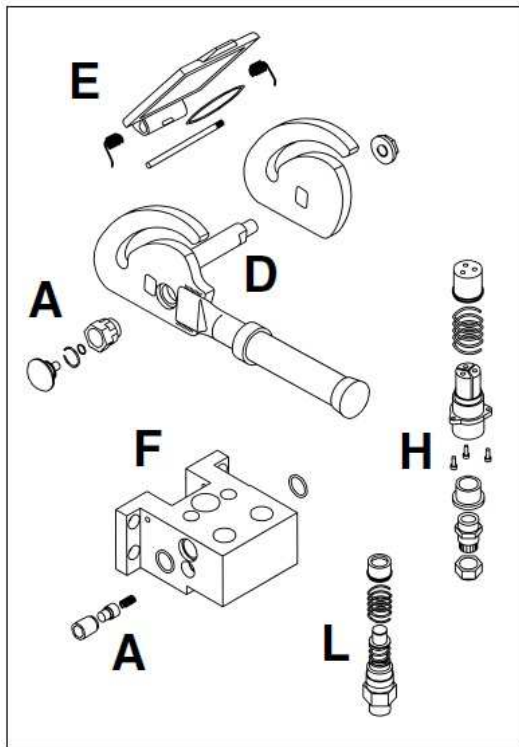
Size Base BG Taille	Part Number Codice Articolo Artikelnummer Désignation
mm inch	    
10 3/8"	KIT 4BD-FFH06M
12.5 1/2"	KIT 4FH08 M KIT 4FH08 F KIT 4BD-13/34S KIT 4BD-13/58S KIT 4FH08 OR
12.5 1/2"	KIT 4FH08 M KIT 4FH08 F KIT 4BD-13/34S KIT 4BD-13/58S KIT 4FH08 OR
20 3/4"	KIT 4FH12 M KIT 4FH12 F KIT 4BD-13/34S KIT 4BD-13/58S KIT 4FH12 OR
20 3/4"	KIT 4FH12 M KIT 4FH12 F KIT 4BD-13/34S KIT 4BD-13/58S KIT 4FH12 OR

Thread Filetto Anschluss Filetage

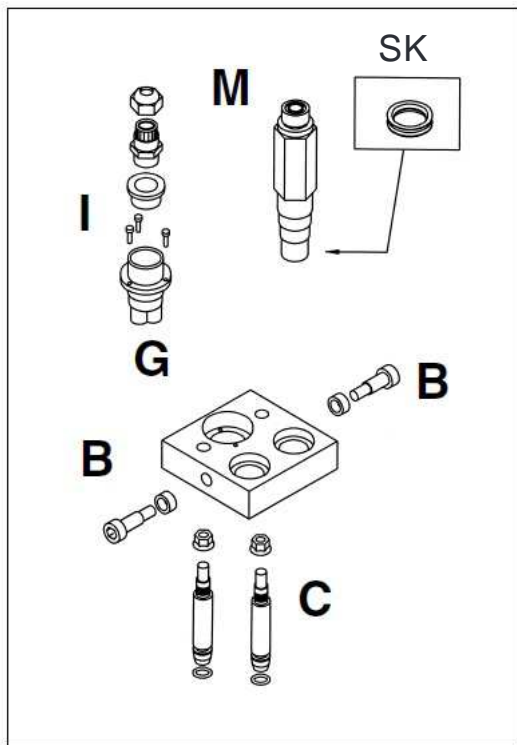


Accessories Guide - Accessori Identificativi Accesorios Identificación - Accessoires d'identification

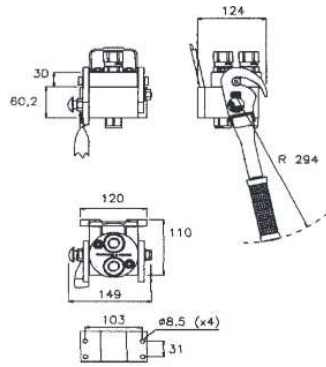
Fixed Half / Parte Fixa / Placa fija / Partie Fixe



Mobile Half / Parte Móvil / Placa móvil / Partie Mobile



2P208 3P208 (2 X 1/2")



ISO A - ISO B - Standard
ISO A - ISO B - Standard
ISO A - ISO B - Standard
ISO A - ISO B - Standard

Agricoltura
Agricoltura
Ausführung Agritechnik
Agricoltura

Screw Together
Innesti a Vite
Schraubkupplungen
A Visser

Check Valves
Valvole Unidirezionali
Rückschläventile
Clapet Anti-retour

Diagnostic
Diagnostici
Diagnostik Kupplung
Diagnostic

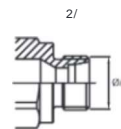
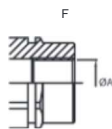
Flat Face
Innesti Faccia Piana
Flachdichtend
Clapet à Face Plat

Multi-faster
Multiconnessioni
Multikupplungen
Multifaster

Size Base BG Taille	Thread Filetto Anschluss Filetage	Part Number Codice Articolo Artikelnummer Désignation	Fixed Half Piastra Fissa Fixteil Partie Fixe	Mobile Half Piastra Mobile Mobilteil Partie Mobile	Working pressure Pressione di esercizio Betriebsdruck Pression de service	Burst Pressures Pressione di scoppio Berstdruck Pression d' éclatement	Flow Rate Portata Durchsatz Débit	Electrical Lines Linee Elettriche Elektroanschluss Raccordement Electrique	Weight Peso Gewicht Poids
mm	inch				MPa (PSI)	MPa (PSI)	l/min (GPM)		
12	1/2"	F	1/2" BSP Female	2P208-2-12G F C	2P208-2-12G M C	25 (3625)	100 (14500)	70 (18.5)	0
12	1/2"	F		3P208-2-12G F C	3P208-2-12G M C	25 (3625)	100 (14500)	70 (18.5)	0
12	1/2"	F	1/2" NPT Female	2P208-2-12N F C	2P208-2-12N M C	25 (3625)	100 (14500)	70 (18.5)	0
12	1/2"	F	1/2" SAE Female	2P208-2-12S F C	2P208-2-12S M C	25 (3625)	100 (14500)	70 (18.5)	0
12	1/2"	F			3P208-2-12S M C	25 (3625)	100 (14500)	70 (18.5)	0
12	1/2"	F	3/4" BSP Female	2P208-2-34G F C	2P208-2-34G M C	25 (3625)	100 (14500)	70 (18.5)	0
12	1/2"	F	3/4" SAE Female	2P208-2-34S F C	2P208-2-34S M C	25 (3625)	100 (14500)	70 (18.5)	0
12	1/2"	F			3P208-2-34S M C	25 (3625)	100 (14500)	70 (18.5)	0
12	1/2"	2/	M22x1,5 Male 15L	2P208-2-2/22 F C	2P208-2-2/22M C	25 (3625)	100 (14500)	70 (18.5)	0

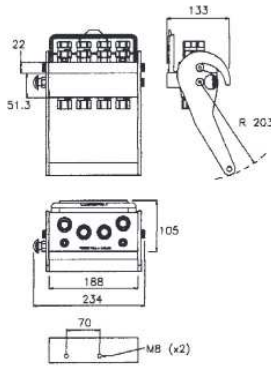
Reference Riferimento Bezeichnung Référence	Fixed Half Piastra Fissa Fixteil Partie Fixe	Weight Peso Gewicht Poids	Package Confezione Packungseinheit Colis	Mobile Half Piastra Mobile Mobilteil Partie Mobile	Weight Peso Gewicht Poids	Package Confezione Packungseinheit Colis	Mobile Part Support Supporto parte mobile Parkplatte Support pour la partie mobile
A	KIT SP5 S						
B				KIT VP8			
C				KIT GP4			
D	KIT LP208						
E	KIT TA P2						
A+B+D+E+F	KIT P208 F L						
G+C+B				KIT P208 M			S P2
M				KIT2FNP12GAS M		10	
M				KIT2FNP12NPT M		10	
M				KIT2FNP12-2/22M		10	
M				KIT2FNP12-12SM		10	
M				KIT2FNP12-34GM		10	
M				KIT3FNP12-34SM		10	
M				KIT3FNP12-12GAS M		10	
M				KIT3FNP12-12SM		10	
M				KIT3NPT12-2/22M		10	
M				KIT3FNP12-34SM		10	
SK				SK MF 12		10	
L	KIT2FNB12GASF		10				
L	KIT2FNB12NPT F		10				
L	KIT2FNB12-2/22F		10				
L	KIT2FNB12-12SF		10				
L	KIT2FNB12-34GF		10				
L	KIT2FNB12-34SF		10				
H/I							

Thread Filetto Anschluss Filetage



2PS06

(4 X 3/8")



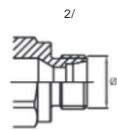
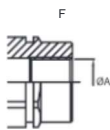
Size Base BG Taille	Thread Filetto Anschluss Filetage	Part Number Codice Articolo Artikelnummer Designation	Fixed Half Piastra Fissa Fixteil Partie Fixe	Mobile Half Piastra Mobile Mobilteil Partie Mobile	Working pressure Pressione di esercizio Betriebsdruck Pression de service	Burst Pressure Pressione di scoppio Berstdruck Pression d' éclatement	Flow Rate Portata Durchsatz Débit	Electrical Lines Linee Elettriche Elektroanschluss Raccordement Electrique	Weight Peso Gewicht Poids
mm	inch				MPa (PSI)	MPa (PSI)	l/min (GPM)		
10	3/8"	F	3/8" BSP Female	2PS06-4-38G F C	2PS06-4-38G M C	25 (3625)	100 (14500)	40 (10.6)	0
10	3/8"	F	1/2" BSP Female	2PS06-4-12G F C	2PS06-4-12G M C	26 (3625)	100 (14500)	40 (10.6)	0
10	3/8"	2/	M22x1,5 Male 15L	2PS06-4-2/22F C	2PS06-4-2/22M C	25 (3625)	100 (14500)	40 (10.6)	0

Reference Riferimento Bezeichnung Référence	Fixed Half Piastra Fissa Fixteil Partie Fixe	Weight Peso Gewicht Poids	Package Confezione Packungseinheit Colis	Mobile Half Piastra Mobile Mobilteil Partie Mobile	Weight Peso Gewicht Poids	Package Confezione Packungseinheit Colis	Mobile Part Support Supporto parte mobile Parkplatte Support pour la partie mobile
A	KIT SP5 S						
B				KIT VP4			
C				KIT GP4			
D	KIT LP606						
E	KIT TA P2						
A+ B+ D+ E+ F	KIT PS06 F L						
G+ C+ B				KIT PS06 M			S PS
M				KIT2FNP38GASM		15	
M				KIT2FNP38-12GM		15	
M				KIT2FNP38-2/18M		15	
M				KIT2FNP38-2/22M		15	
M				KIT3FNP38GASM		15	
M				KIT3FNP38-12GM		15	
SK				SK MF 38		10	
L	KIT2FNB38GASF		15				
L	KIT2FNB38-12GF		15				
L	KIT2FNB38-2/18F		15				
L	KIT2FNB38-2/22F		15				
H/I							

To be assembled on valves
 Applicabile su distributori
 Zur Montage auf Ventilblock
 À monter sur le distributeur

Walvoil SDM143/DLM142
 Nimco CV 452/462
 Nordhydraulic RMF 200

Thread Filetto Anschluss Filetage

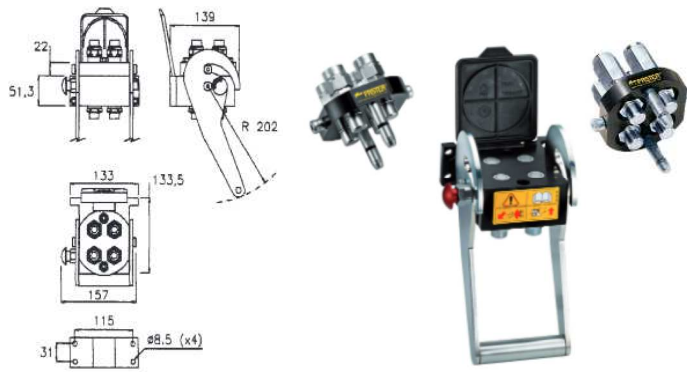


2P506

3P506

(4 X 3/8")

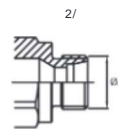
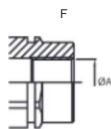
* 1 (4 X 3/8" + 1 E)



Size Base BG Taille	Thread Filetto Anschluss Filetage	Part Number Codice Articolo Artikelnummer Désignation	Fixed Half Plastra Fissa Fixteil Partie Fixe	Mobile Half Plastra Mobile Mobilteil Partie Mobile	Working pressure Pressione di esercizio Betriebsdruck Pression de service	Burst Pressures Pressione di scoppio Berstdruck Pression d'éclatement	Flow Rate Portata Durchsatz Débit	Electrical Lines Linee Elettriche Elektroanschluss Raccordement Electrique	Weight Peso Gewicht Poids
mm	inch				MPa (PSI)	MPa (PSI)	l/min (GPM)		
10	3/8"	F	3/8" BSP Female	2P506-4-38G F C	2P506-4-38G M C	25 (3625)	100 (14500)	40 (10.6)	0
10	3/8"	F			3P506-4-38G M C	25 (3625)	100 (14500)	40 (10.6)	0
10	3/8"	F	1/2" BSP Female	2P506-4-12G F C	2P506-4-12G M C	25 (3625)	100 (14500)	40 (10.6)	0
10	3/8"	F			3P506-4-12G M C	25 (3625)	100 (14500)	40 (10.6)	0
10	3/8"	2/	M22x1.5 Male 15L	2P506-4-2/22F C	2P506-4-2/22M C	25 (3625)	100 (14500)	40 (10.6)	0
10	3/8"	F	3/8" BSP Female	2P506-1-4-38GFC	2P506-1-4-38GMC	25 (3625)	100 (14500)	40 (10.6)	1(*)

Reference Riferimento Bezeichnung Référence	Fixed Half Plastra Fissa Fixteil Partie Fixe	Weight Peso Gewicht Poids	Package Confezione Verpackung Colis	Mobile Half Plastra Mobile Mobilteil Partie Mobile	Weight Peso Gewicht Poids	Package Confezione Verpackung Colis	Mobile Part Support Supporto parte mobile Parkplatte Support pour la partie mobile
A	KIT SP5 S						
B				KIT VP4 - (*)KIT VP8			
C				KIT GP4			
D	KIT LP506						
E	KIT TA P5						
A+B+D+E+F	KIT P506 F L - (*)KIT P506-1 F L)						
G+C+B				KIT P506 M - (*)KIT P506-1 M)			S P5
M				KIT2FNP38GASM	15		
M				KIT2FNP38-12GM	15		
M				KIT2FNP38-2/22M	15		
M				KIT3FNP38GASM	15		
M				KIT3FNP38-12GM	15		
SK				SK MF 38	10		
L	KIT2FNB38GASF		15				
L	KIT2FNB38-12GF		15				
L	KIT2FNB38-2/18F		15				
L	KIT2FNB38-2/22F		15				
H / I	KIT SPEL08-3F		10	KIT SPEL08-3M		10	
H / I	KIT SPEL08-7F		10	KIT SPEL08-7M		10	

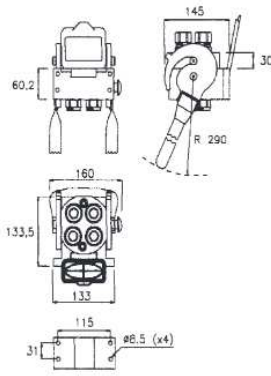
Thread Filetto Anschluss Filetage



2P508

3P508

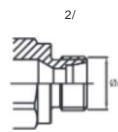
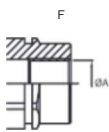
(4 X 1/2")



Size Base BG Taille	Thread Filetto Anschluss Filetage	Part Number Codice Articolo Artikelnummer Désignation	Fixed Half Piastra Fissa Fixteil Partie Fixe	Mobile Half Piastra Mobile Mobilteil Partie Mobile	Working pressure Pressione di esercizio Betriebsdruck Pression de service	Burst Pressure Pressione di scoppio Berstdruck Pression d' éclatement	Flow Rate Portata Durchsatz Débit	Electrical Lines Linee Elettriche Raccordement Electrique	Weight Peso Gewicht Poids
mm	inch				MPa (PSI)	MPa (PSI)	l/min (GPM)		
12	1/2"	F	1/2" BSP Female	2P508-4-12G F C	2P508-4-12G M C	25 (3625)	100 (14500)	70 (18.5)	0
12	1/2"	F	1/2" BSP Female	3P508-4-12G F C (*)	3P508-4-12G M C	25 (3625)	100 (14500)	70 (18.5)	0
12	1/2"	F	1/2" NPT Female	2P508-4-12N F C	2P508-4-12N M C	25 (3625)	100 (14500)	70 (18.5)	0
12	1/2"	F	3/4"-16 UNF Female	2P508-4-12S F C	2P508-4-12S M C	25 (3625)	100 (14500)	70 (18.5)	0

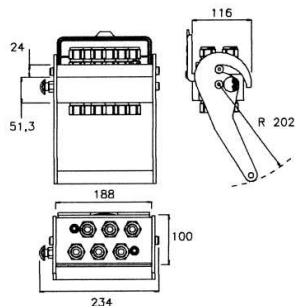
Reference Riferimento Bezeichnung Référence	Fixed Half Piastra Fissa Fixteil Partie Fixe	Weight Peso Gewicht Poids	Package Confezione Verpackung Colis	Mobile Half Piastra Mobile Mobilteil Partie Mobile	Weight Peso Gewicht Poids	Package Confezione Verpackung Colis	Mobile Part Support Supporto parte mobile Parkplatte Support pour la partie mobile
A	KIT SP5 S						
B				KIT VP8			
C				KIT GP4			
D	KIT LP508						
D	(*) KIT LP506-1						
E	KIT TA P5						
A+B+D+E+F	KIT P508 F L						
G+C+B				KIT P508 M			S P5
M				KIT2FNP12GAS M		10	
M				KIT2FNP12NPT M		10	
M				KIT2FNP12-12SM		10	
M				KIT3FNP12GAS M		10	
M				KIT3FNP12-12SM		10	
M				KIT3FNP12-34SM		10	
SK				SK MF 38		10	
L	KIT2FNB12GAS F		10				
L	KIT2FNB12NPT F		10				
L	KIT2FNB12-12SF		10				
L	KIT2FNB12-2/22F		10				
H / I	KIT SPEL08-3F		10	KIT SPEL08-3M		10	
H / I	KIT SPEL08-7F		10	KIT SPEL08-7M		10	

Thread Filetto Anschluss Filetage



2P606

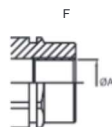
(6 X 3/8")



Size Base BG Taille	Thread Filetto Anschluss Filetage	Part Number Codice Articolo Artikelnummer Désignation	Fixed Half Piastra Fissa Fixteil Partie Fixe	Mobile Half Piastra Mobile Mobilteil Partie Mobile	Working pressure Pressione di esercizio Betriebsdruck Pression de service	Burst Pressure Pressione di scoppio Berstdruck Pression d'éclatement	Flow Rate Portata Durchsatz Débit	Electrical Lines Linee Elettriche Elektroanschluss Raccordement Electrique	Weight Peso Gewicht Poids
mm	inch				MPa (PSI)	MPa (PSI)	l/min (GPM)		
10	3/8"	F	3/8" BSP Female 2P606-6-12G F C	2P206-6-12G M C	25 (3625)	100 (14500)	40 (10.6)	0	
10	3/8"	F	3/4"-16 UNF Female 2P606-6-12S F C	2P206-6-12S M C	25 (3625)	100 (14500)	40 (10.6)	0	

Reference Riferimento Bezeichnung Référence	Fixed Half Piastra Fissa Fixteil Partie Fixe	Weight Peso Gewicht Poids	Package Confezione Verpackung Colis	Mobile Half Piastra Mobile Mobilteil Partie Mobile	Weight Peso Gewicht Poids	Package Confezione Verpackung Colis	Mobile Part Support Supporto parte mobile Parkplatte Support pour la partie mobile
A	KIT SP5 S						
B				KIT VP4			
C				KIT GP4			
D	KIT LP606						
E	KIT TA P6						
A+B+D+E+F	KIT P606 F L						
G+C+B				KIT P606 M			
M				KIT2FNP38GASM		15	
M				KIT2FNP38-12GM		15	
M				KIT2FNP38-2/18M		15	
M				KIT2FNP38-2/22M		15	
M				KIT3FNP38GAS M		15	
M				KIT3FNP38-12GM		15	
SK				SK MF 38		10	
L	KIT2FNB38GASF		15				
L	KIT2FNB38-12GF		15				
L	KIT2FNB38-2/18F		15				
L	KIT2FNB38-2/22F		15				
H / I							

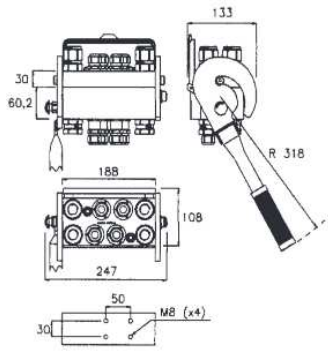
Thread Filetto Anschluss Filetage



2P808

3P808

(8 X 1/2")



ISO A - ISO B - Standard
ISO A - ISO B - Standard
ISO A - ISO B - Standard
ISO A - ISO B - Standard

Agriculture
Agricoltura
Ausführung Agritechnik
Agriculture

Screw Together
Innesti a Vite
Schraubkupplungen
A Visser

Check Valves
Valvole Unidirezionali
Rückschläventile
Clapet Anti-retour

Diagnostic
Diagnostici
Diagnostik Kupplung
Diagnostic

Flat Face
Innesti Faccia Piana
Flachdichtend
Clapet à Face Plat

Multifaster
Multiconessioni
Multikupplungen
Multifaster

Size Base BG Taille	Thread Filetto Anschluss Filetage	Part Number Codice Articolo Artikelnummer Designation	Fixed Half Piastra Fissa Fixteil Partie Fixe	Mobile Half Piastra Mobile Mobilteil Partie Mobile	Working pressure Pressione di esercizio Betriebsdruck Pression de service	Burst Pressures Pressione di scoppio Berstdruck Pression d'éclatement	Flow Rate Portata Durchsatz Débit	Electrical Lines Linee Elettriche Elektroanschluss Raccordement Electrique	Weight Peso Gewicht Poids
mm	inch				MPa (PSI)	MPa (PSI)	l/min (GPM)		
12	1/2"	F	1/2" BSP Female	2P808-6-12G F C	2P808-6-12G M C	25 (3625)	100 (14500)	70 (18.5)	0
12	1/2"	F	1/2" BSP Female	2P808-8-12G FC	2P808-8-12G MC	25 (3625)	101 (14500)	70 (18.5)	0
12	1/2"	F	1/2" BSP Female	2P808-8-12G FC	3P808-8-12G MC	25 (3625)	100 (14500)	70 (18.5)	0

Reference Riferimento Bezeichnung Référence	Fixed Half Piastra Fissa Fixteil Partie Fixe	Weight Peso Gewicht Poids	Package Confezione Verpackung Colis	Mobile Half Piastra Mobile Mobilteil Partie Mobile	Weight Peso Gewicht Poids	Package Confezione Verpackung Colis	Mobile Part Support Supporto parte mobile Parkplatte Support pour la partie mobile
A	KIT SP5 S						
B				KIT VP8			
C				KIT GP8			
D	KIT LP808						
E	KIT TA P8						
A+B+D+E+F	KIT P808 F L						
G+C+B				KIT P808 M			S P8
M				KIT2FNP12GAS M		10	
M				KIT2FNP12-12SM		10	
M				KIT2FNP12-2/22M		10	
M				KIT2FNP12-34SM		10	
M				KIT3FNP12GAS M		10	
SK				SK MF 12		10	
L	KIT2FNB12GAS F		10				
L	KIT2FNB12-12SF		10				
L	KIT2FNB12-34SF		10				
L	KIT2FNB12-2/22F		10				
H / I	KIT SPEL08-3F		10	KIT SPEL08-3M		10	
H / I	KIT SPEL08-7F		10	KIT SPEL08-7M		10	

Thread Filetto Anschluss Filetage

