

DRIVE COUPLINGS

Characteristics

The couplings are used to establish a connection between an electrical motor with standard flange and a pump

- Available blank or machined
- Materials: Half coupling - steel, Sleeve - polyamide 6.6
- Working temperature: - 30°C to +100°C

● **TECHNICAL DATA:**

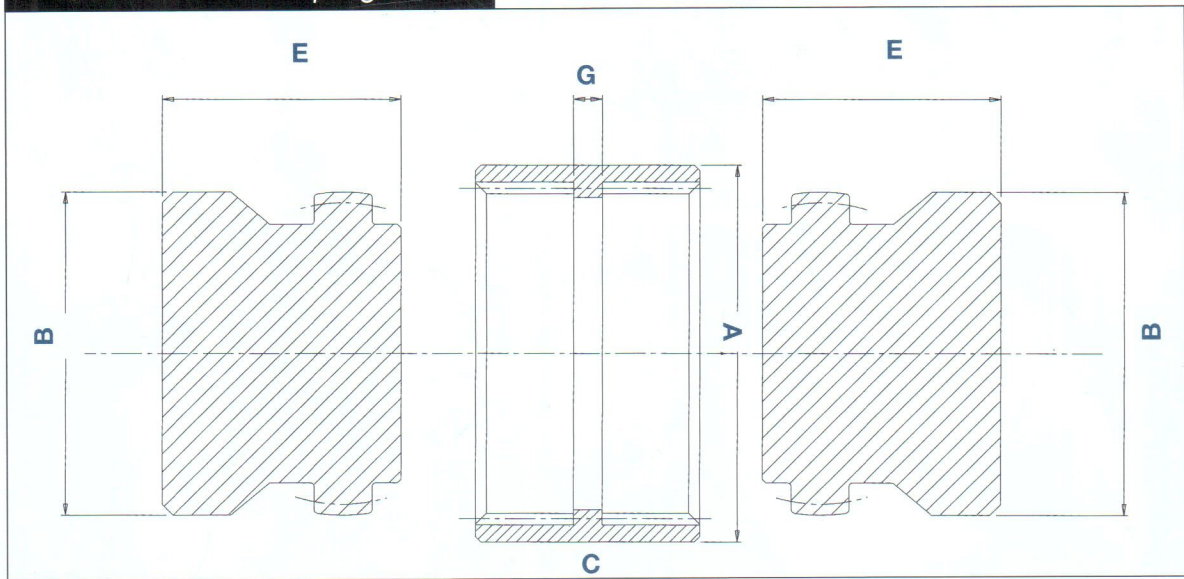
Maximum misalignment and torque in Nm supported by POL halfcouplings

Couplings can partially compensate angular, radial and axial misalignments



Size	Motor power 4 poles 1450 revs/min			Size	Max torque in Nm	Max. power at revs/min				Max. misalignment		
	kW	Size	Hp			750	1000	1500	3000	Angular	Radial (mm)	Axial (mm)
POL-1-BB	0,12-0,18	63	0,16-0,25	POL1 1	19,62	1,55	2	3	6,1	2°	0,14	
	0,25-0,37	71	0,35-0,5									
POL-2-BB	0,55-0,75	80	0,75-1	POL2	42,2	3,3	4,41	6,6	13,3	2°	0,5	1
	1,1-1,5	90	1,5-2									
POL-3-BB	2,2-4	100-112	3-5,5	POL3	112,8	9,1	12,2	17,7	35,4	2°	0,5	1
POL-4-BB	5,5-9	132	7,5-13,5	POL4	186,4	14	19,5	29,2	58,5	2°	0,5	1
POL-5-BB	11-15	160	15-20	POL5	269,8	21,2	28,2	42,3	84,5	2°	0,5	1
	18,5-22	180	25-30									
POL-6-BB	30	200	40	POL6	412	32,8	43	64,7	130	2°	0,6	1
	37-45	225	50-60									
	55	250	75									
POL-7-BB	75-90	280	100-125	POL7	715,8	56,2	74,9	112,4	224,8	2°	0,6	1
	110	315	150									

Blank Steel Halfcoupling POL



Head Office:

96A Fleming Road
Meadowdale Ext 2
Germiston
PO Box 1735
Edenvale
1610
Telephone: +27-11-392 3736/7
Facsimile: +27-11-392-6957

Durban:

Unit No. 9 Shalee Park
53 Ebonyfield Road, Springfield
Park
PO Box 74181, Rochdale Park,
4034
Telephone: +27-31-579 1479
Facsimile: +27-31-579 1443
+27-31-579 1478

Cape Town:

Unit K10,
Centurion Business Park
Cnr. Bosmansdam Road
& Democracy Way
Prosperity Park
Milnerton
PO Box 427, Paarden Eiland
7420
Telephone: +27-21-552 0462
+27-21-552 0463
Facsimile: +27-21-552 0464

Hydrasales



Part Number	Half Coupling	DIMENSIONS (mm)					
		B	Bore max	E	A	C	G
POL-1-BB	POL 1	23	14	23	40	40	4
POL-2-BB	POL 2	45	24	33	55	42	4
POL-3-BB	POL 3	57	32	40	70	45	4
POL-4-BB	POL 4	69	38	40	86	48	4
POL-5-BB	POL 5	81	48	60	102	50	4
POL-6-BB	POL 6	99	65	80	150	72	8
POL-7-BB	POL 7	124	80	90	180	93	8

The descriptions and illustrations in this catalogue are for information only and are not binding.