

# OIL TANK FIXING FLANGE FTA - FTR



FT flanges make it possible to fix suction and return lines on the reservoir cover. Fitting a flexible insert allows separation of pipes. Both rigid pipes and flexible hoses can be separated from the reservoir walls, absorbing vibration and reducing plant noise emissions.

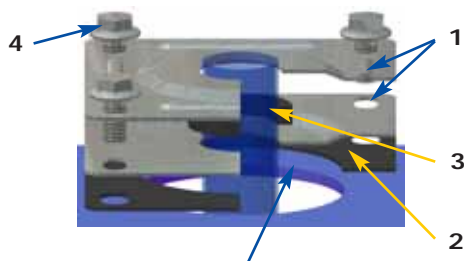
## Temperature

- from -13°F to +230°F

## Compatibility

- NBR seals and Cork Gasket, compatible with:  
Mineral oils to ISO 2943 - aqueous emulsions  
Synthetic fluids, glycol water.

## FTA



Drill the panel:

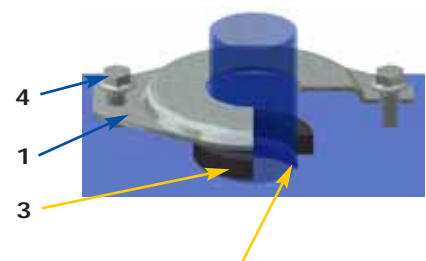
Ø 105 for types from 1215 - 3842  
Ø 145 for types from 4850 - 8789

## FTA - FTR (Materials)

- 1 - Flange: Galvanized steel
- 2 - Flange seal: Inorganic fiber
- 3 - Tube seal: NBR
- 4 - Screw: Galvanized steel

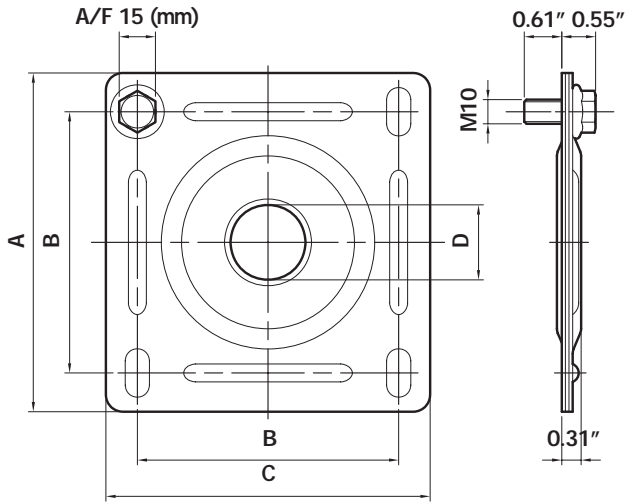
- 1 - Flexible element
- 2 - Seal

## FTR



Drill the panel max 2 mm more than the pipe Ø

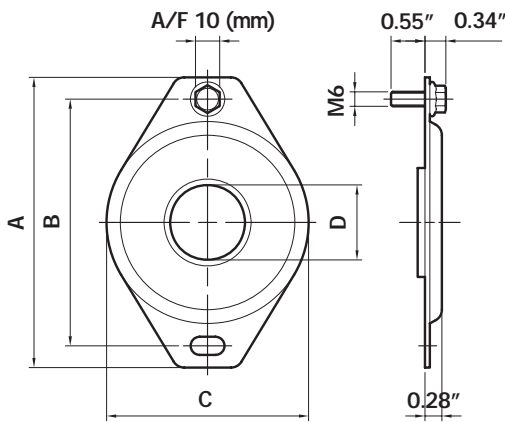
## FTA



Type	A	B	C	Ø D	Weight (lbs)
FTA 1215	5.51"	4.25"	5.27"	0.47"- 0.59"	1.19
FTA 1620	5.51"	4.25"	5.27"	0.63"- 0.79"	1.26
FTA 2225	5.51"	4.25"	5.27"	0.87"- 0.98"	1.21
FTA 2630	5.51"	4.25"	5.27"	1.02"- 1.18"	1.17
FTA 3235	5.51"	4.25"	5.27"	1.26"- 1.38"	1.10
FTA 3842	5.51"	4.25"	5.27"	1.50"- 1.65"	1.15
FTA 4850	7.48"	4.25"	7.25"	1.89"- 1.97"	2.03
FTA 6061	7.48"	4.25"	7.25"	2.36"- 2.40"	1.98
FTA 7577	7.48"	4.25"	7.25"	2.95"- 3.03"	1.90
FTA 8789	7.48"	4.25"	7.25"	3.43"- 3.50"	1.83

N.B. Tightening torque MAX 14.7 ft-lbs.

## FTR



Type	A	B	C	Ø D	Weight (lbs)
FTR 0610	2.80"	2.13"	1.56"	0.24"- 0.39"	0.10
FTR 1215	2.80"	2.13"	1.56"	0.47"- 0.59"	0.09
FTR 1620	2.80"	2.13"	1.56"	0.63"- 0.79"	0.09
FTR 2225	4.52"	4.02"	3.29"	0.87"- 0.98"	0.22
FTR 2630	4.52"	4.02"	3.29"	1.02"- 1.18"	0.23
FTR 3235	4.52"	4.02"	3.29"	1.26"- 1.38"	0.22
FTR 3842	4.52"	4.02"	3.29"	1.50"- 1.65"	0.21
FTR 4850	4.52"	4.02"	3.29"	1.89"- 1.97"	0.20
FTR 6061	4.52"	4.02"	3.29"	2.36"- 2.40"	0.19

N.B. Tightening torque MAX 14.7 ft-lbs.

# Ordering information

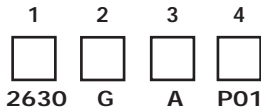
### Suction line flange FTA

Example: FTA

1 - Size

Ø Pipe  
Min - Max

1215	0.47"- 0.59"
1620	0.63"- 0.79"
2225	0.87"- 0.98"
2630	1.02"- 1.18"
3235	1.26"- 1.38"
3842	1.50"- 1.65"
4850	1.89"- 1.97"
6061	2.36"- 2.40"
7577	2.95"- 3.03"
8789	3.43"- 3.50"



2 - Flange seal

**G** Inorganic fibre

3 - Pipe seal

**A** NBR

4 - Options

**P01** MP Standard

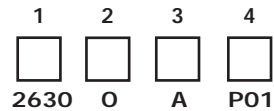
### Return line flange FTR

Example: FTR

1 - Size

Ø Pipe  
Min - Max

0610	0.24"- 0.39"
1215	0.47"- 0.59"
1620	0.63"- 0.79"
2225	0.87"- 0.98"
2630	1.02"- 1.18"
3235	1.26"- 1.38"
3842	1.50"- 1.65"
4850	1.89"- 1.97"
6061	2.36"- 2.40"



2 - Flange seal

**O** Without

3 - Pipe seal

**A** NBR

4 - Options

**P01** MP Standard