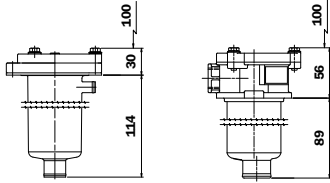


MPF



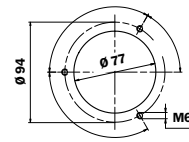
Maximum pressure 8 bar
Flow rates to 750 l/min

MPF 020/030

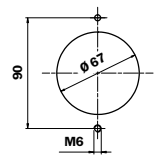


Holes on the tank

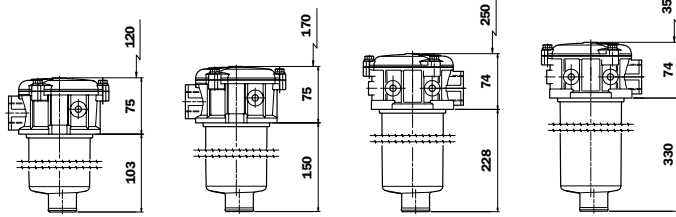
MPF 020



MPF 030

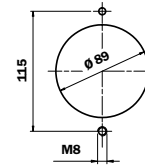


MPF 100/104

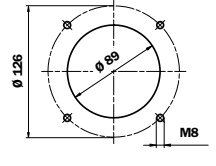


Holes on the tank

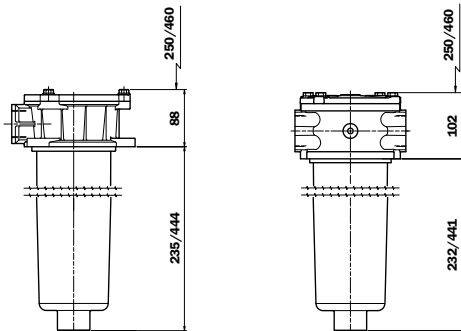
MPF 100



MPF 104

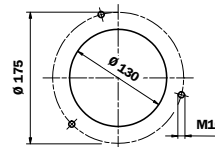


MPF 180/184

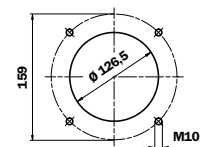


Holes on the tank

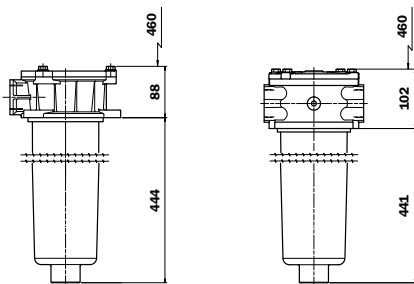
MPF 180



MPF 184

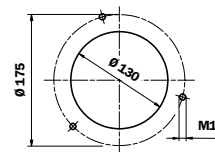


MPF 190/194

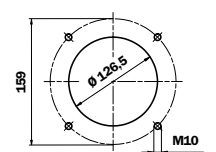


Holes on the tank

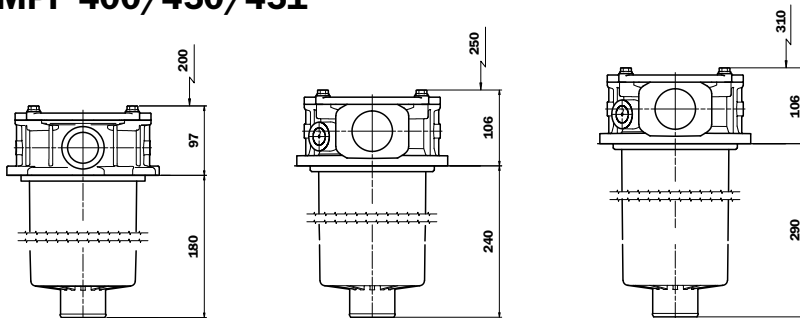
MPF 190



MPF 194

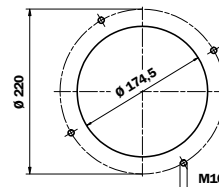


MPF 400/450/451

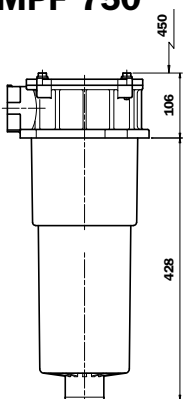


Holes on the tank

MPF 400/450/451

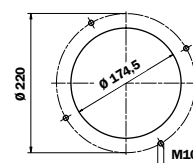


MPF 750



Holes on the tank

MPF 750



Technical data

MPF

Filter housing (Materials)

- Head: Aluminium (Nylon only MPF 020)
- Cover: Zytel (MPF 020/030/100/104)
Aluminium (MPF 180/184/190/194/400/450/750)
- Bowl: Nylon

Pressure

- Working pressure: 8 bar (0,8 MPa)

Temperature

- From -25 °C to +110 °C

Bypass valve

- Opening pressure 1,75 bar $\pm 10\%$
- Opening pressure 3 bar $\pm 10\%$

Δp Elements type

- Series N and H elements: 10 bar
- Oil flow from exterior to interior.

Seals

- Standard NBR series A
- Optional FPM series V

Weights (kg)

Length	1	2	3	4
• MPF 020	0,30	-	-	-
• MPF 030	0,40	-	-	-
• MPF 100	0,76	0,85	0,98	1,10
• MPF 104	0,82	0,96	1,02	1,25
• MPF 180	2,16	2,97	-	-
• MPF 184	2,55	3,45	-	-
• MPF 190	-	2,97	-	-
• MPF 194	-	3,45	-	-
• MPF 400	3,35	3,65	3,90	-
• MPF 450/451	3,95	4,25	4,50	-
• MPF 750	6,30	-	-	-

Volumes (dm³)

Length	1	2	3	4
• MPF 020	0,26	-	-	-
• MPF 030	0,29	-	-	-
• MPF 100	0,64	0,85	1,20	1,65
• MPF 104	0,64	0,85	1,20	1,65
• MPF 180	2,50	4,00	-	-
• MPF 184	2,65	4,45	-	-
• MPF 190	-	4,25	-	-
• MPF 194	-	4,45	-	-
• MPF 400	3,70	4,60	5,40	-
• MPF 450/451	3,70	4,60	5,40	-
• MPF 750	8,45	-	-	-

Compatibility

- Housings compatible with:
Mineral oils to ISO 2943 - aqueous emulsions
synthetic fluids, water and glycol.
- The filter elements are compatible with:
Mineral oils to ISO 2943, Synthetic fluids
Aqueous emulsions, water and glycol
(series W required).
- NBR seals series A, compatible with:
Mineral oils to ISO 2943 - aqueous emulsions
synthetic fluids, water and glycol.
- FPM seals series V, compatible with:
Synthetic fluids type HS-HFDR-HFDS-HFDU
To ISO 2943

Filter Element Area

Filter element in stainless steel mesh
Length

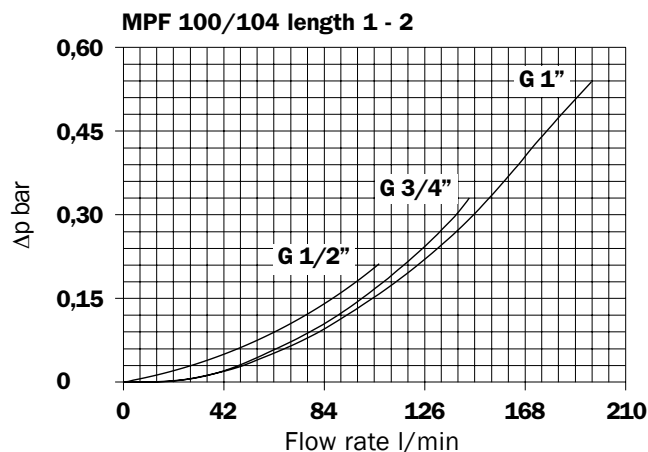
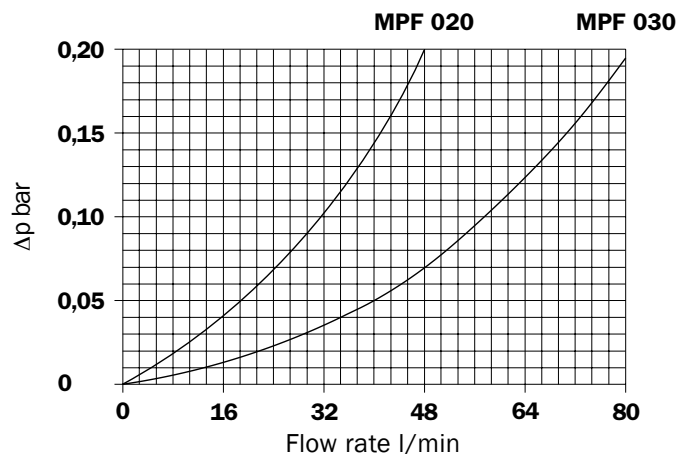
Type	1	2	3	4
MF 030	336	-	-	-
MF 100	493	781	1286	1933
MF 180	2496	5342	-	-
MF 190	-	5342	-	-
MF 400/450	2701	3885	4713	-
MF 750	8059	-	-	-

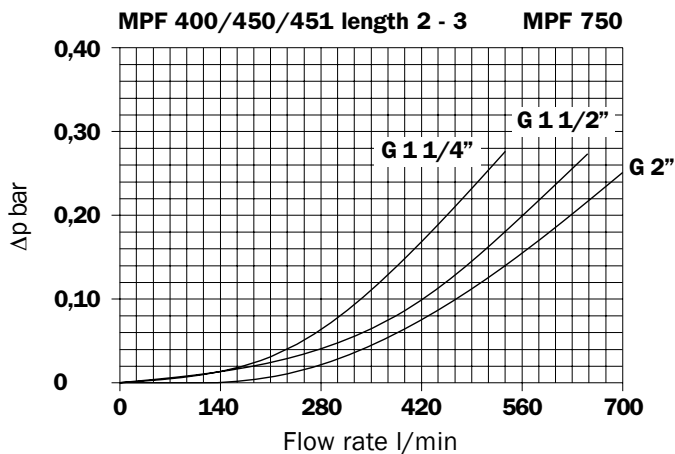
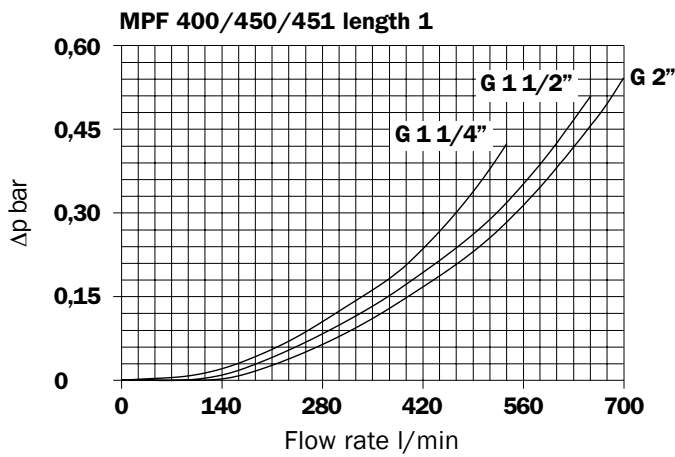
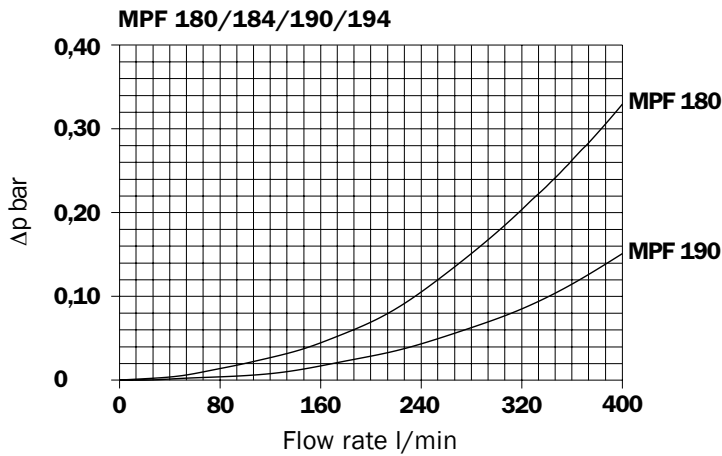
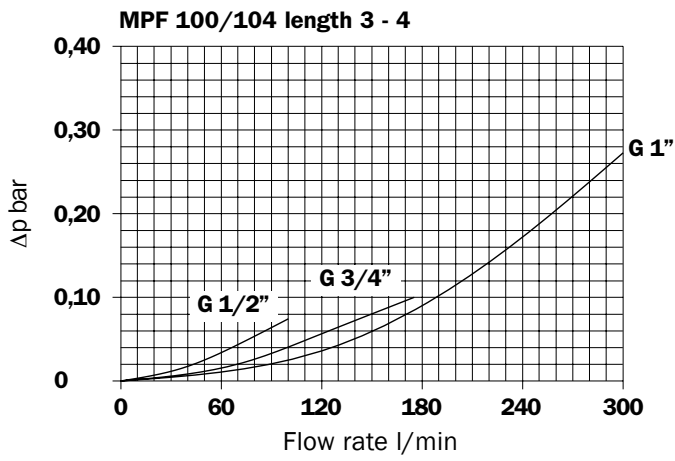
Values expressed in cm²

Filter housings Δp pressure drop

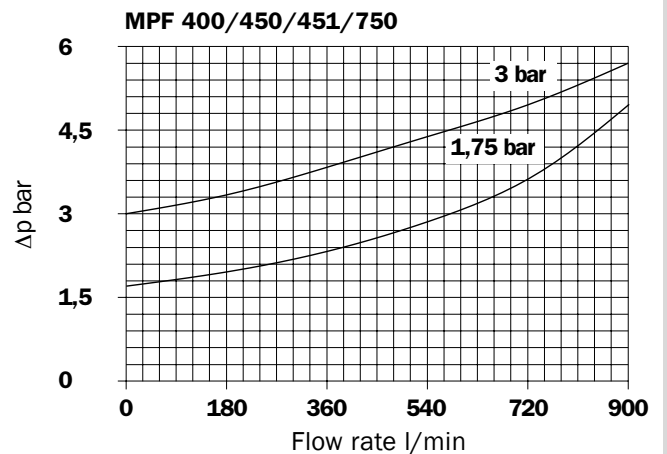
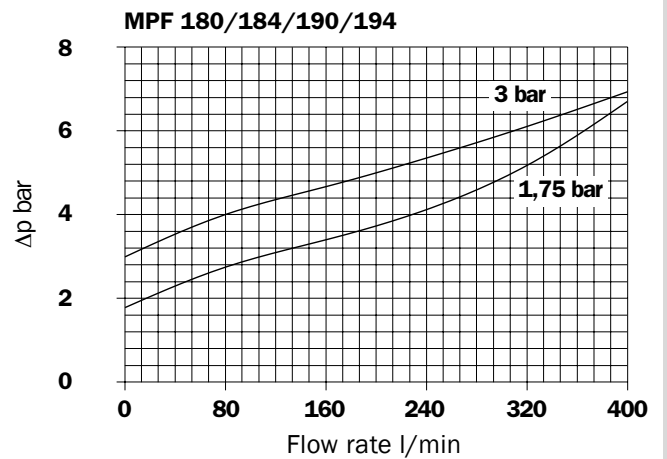
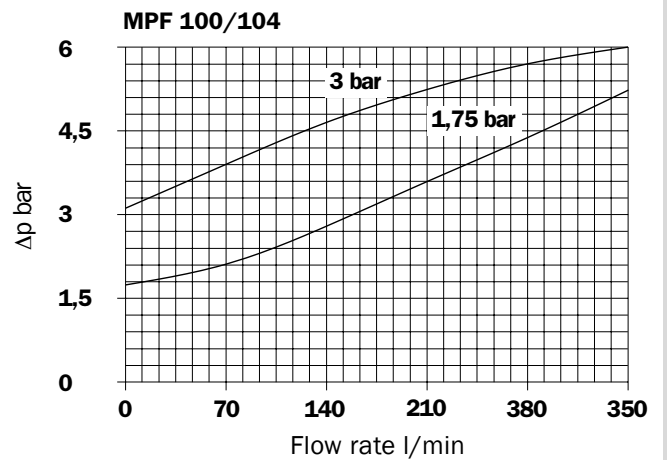
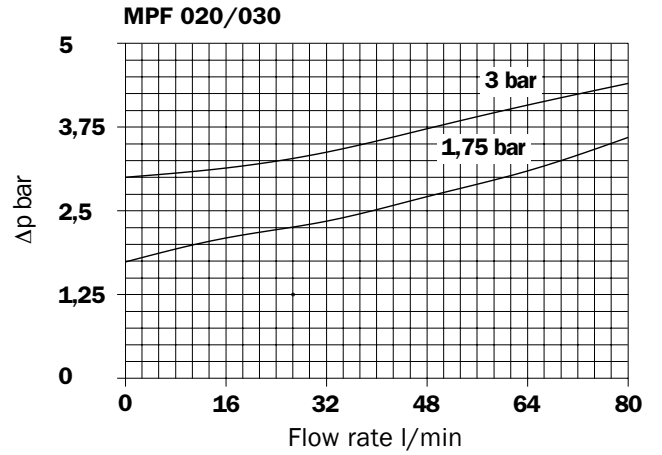
The curves are plotted utilising mineral oil with density of 0.86 kg/dm³ to ISO 3968.

Δp varies proportionally with density.



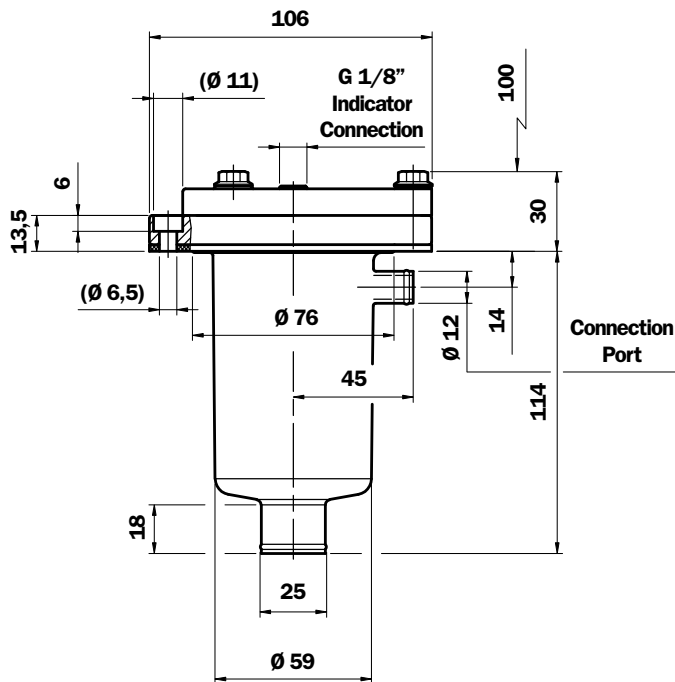


Valves
Bypass valve pressure drop
For individual filter:

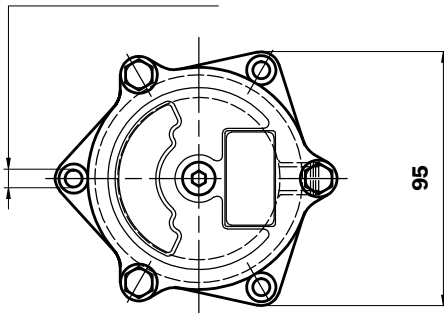


Dimensions

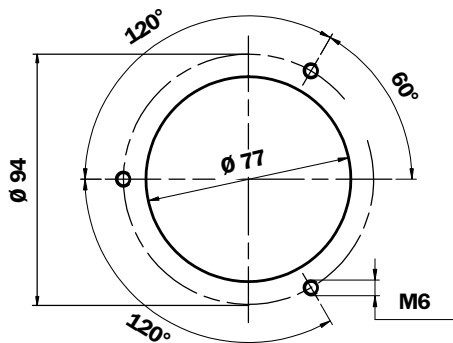
MPF 020



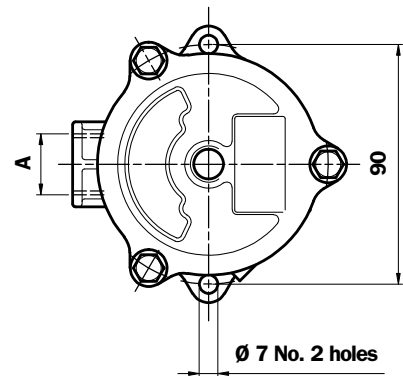
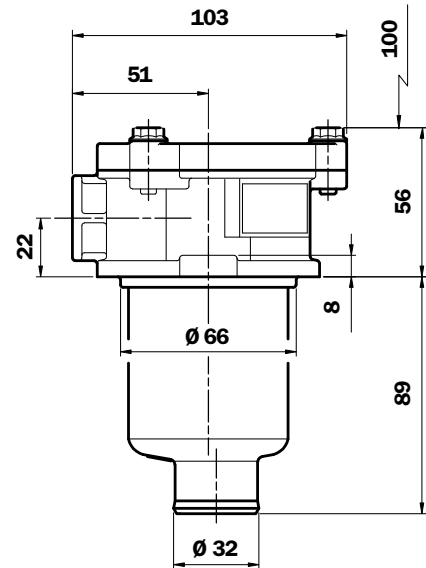
$\varnothing 11$ No. 3 spotfaced
 $\varnothing 6,5$ No. 3 holes



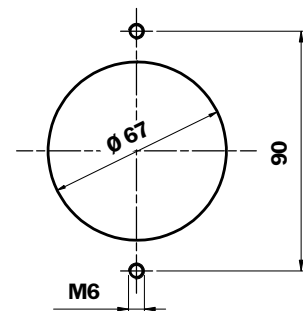
Holes on the tank



MPF 030



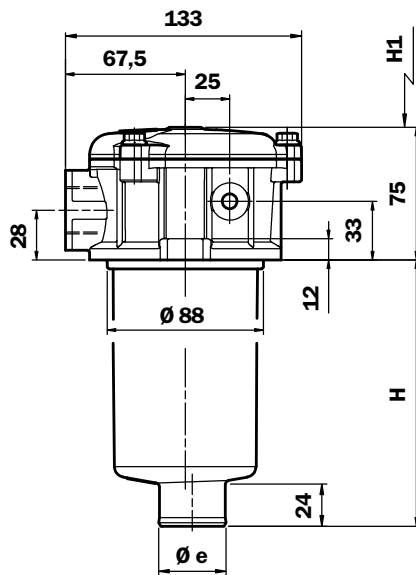
Holes on the tank



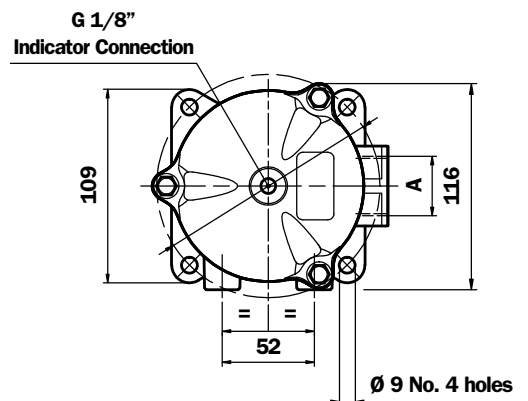
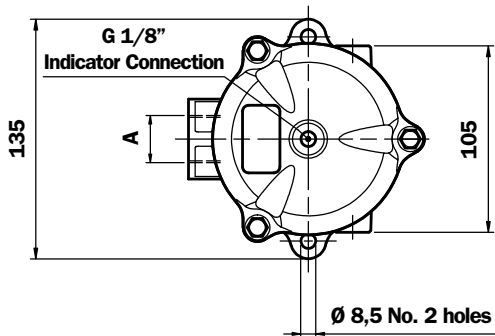
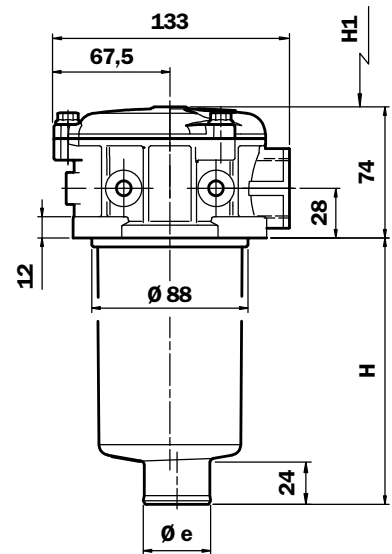
Thread connections

St.	A
G1	G 1/2"
G4	1/2" NPT
G7	SAE 8 3/4" 16 UNF

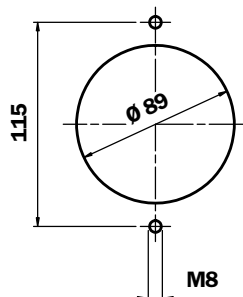
MPF 100



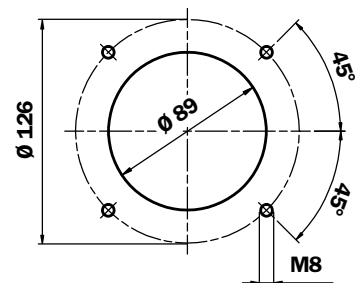
MPF 104



Holes on the tank



Holes on the tank



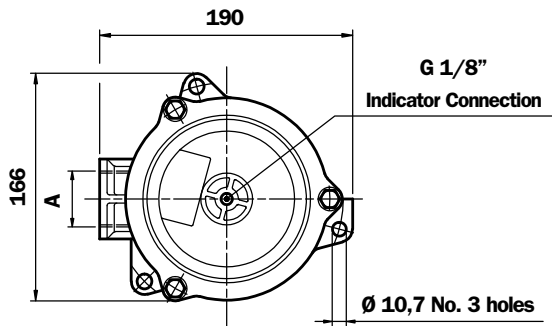
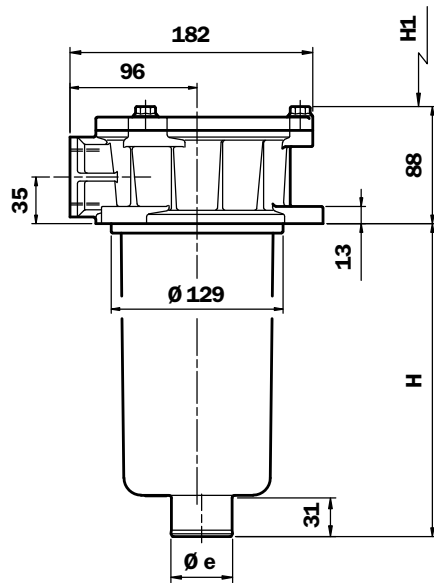
Thread connections

St.	A
G1	G 1/2"
G2	G 3/4"
G3	G 1"
G4	1/2" NPT
G5	3/4" NPT
G6	1" NPT
G7	SAE 8 3/4" 16 UNF
G8	SAE 12 1 1/16" 12 UN
G9	SAE 16 1 5/16" 12 UN

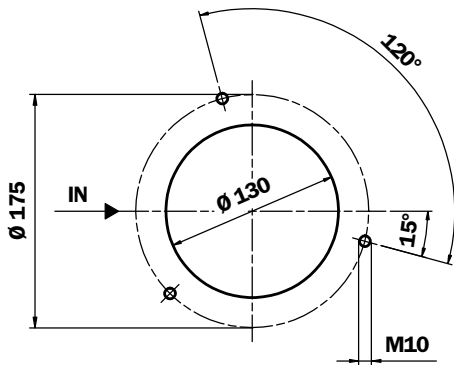
MPF 100/104

Length Filter	H mm	H1 mm	$\varnothing e$ mm
1	103	120	38
2	150	170	38
3	228	250	46,5
4	330	350	46,5

MPF 180/190



Holes on the tank



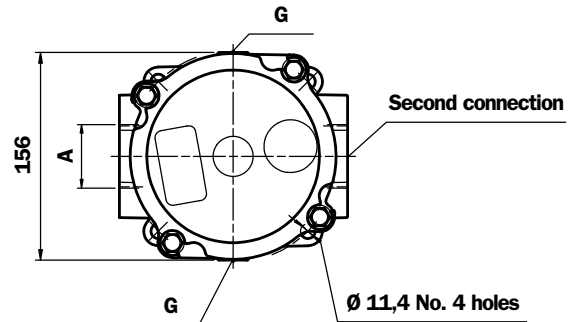
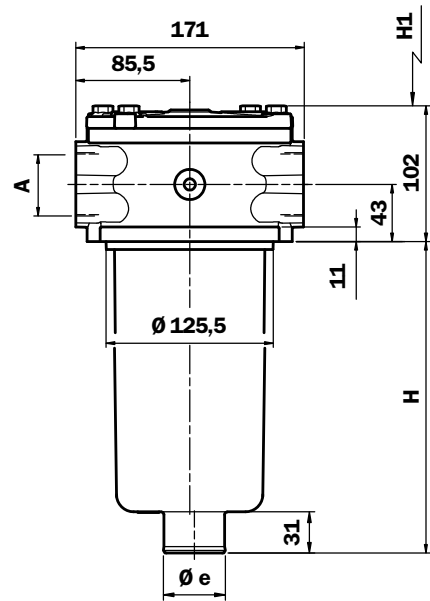
Thread connections MPF 180/190

St.	A
G1	G 1 1/4"
G4	1 1/4" NPT
G7	SAE 20 1 5/8" 12 UN

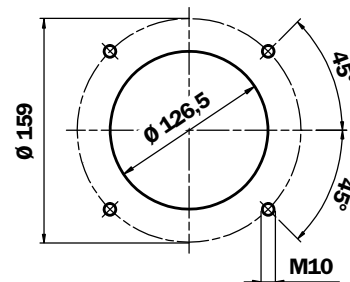
MPF	Length Filter	H mm	H1 mm	Ø e mm
180	1	235	250	47
	2	444	460	47
190	2	444	460	50

MPF	Length Filter	H mm	H1 mm	Ø e mm
184	1	232	250	47
	2	441	460	47
194	2	441	460	50

MPF 184/194



Holes on the tank



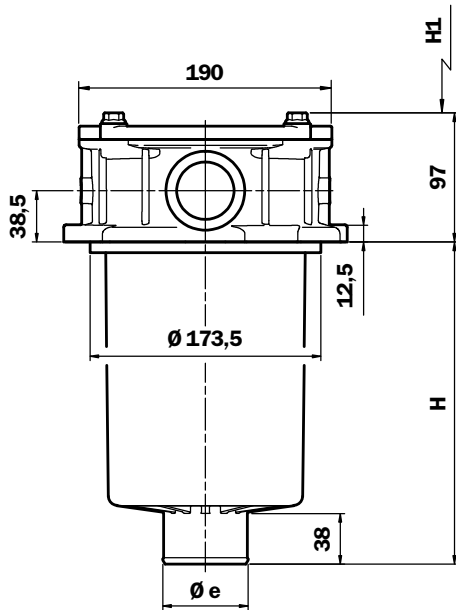
Thread connections MPF 184/194

St.	St.	
	A	G
G1	G 1 1/4"	G 1/8"
G2	2 Connections G 1 1/4"	G 1/8"
G4	1 1/4" NPT	1/8" NPT
G5	2 Connections 1 1/4" NPT	1/8" NPT
G7	SAE 20 1 5/8" 12 UN	1/8" NPT
G8	2 Connections SAE 20 1 5/8" 12 UN	1/8" NPT

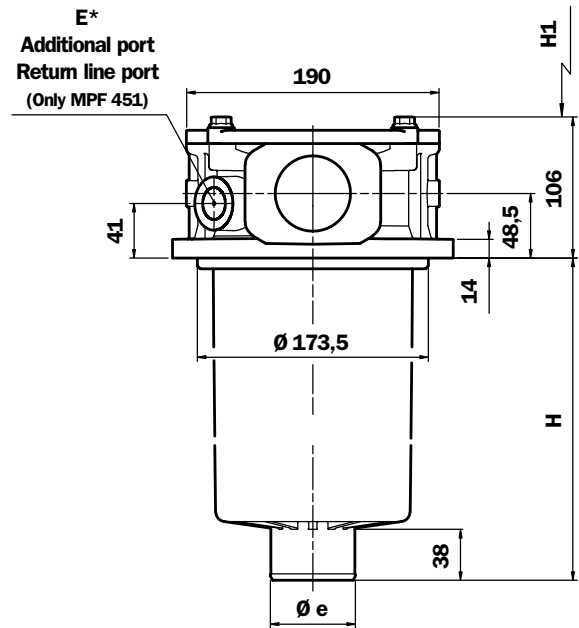
Flange connections MPF 184/194

St.	St.	
	A	G
F1	1 1/2" SAE 3000 psi/M	G 1/8"
F2	1 1/2" SAE 3000 psi/UNC	1/8" NPT
F3	2 Connections 1 1/2" SAE 3000 psi/M	G 1/8"
F4	2 Connections 1 1/2" SAE 3000 psi/UNC	1/8" NPT

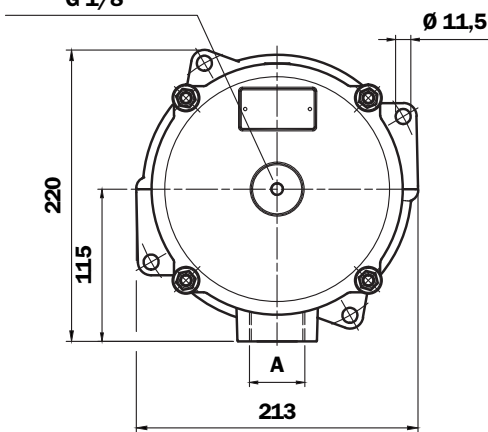
MPF 400



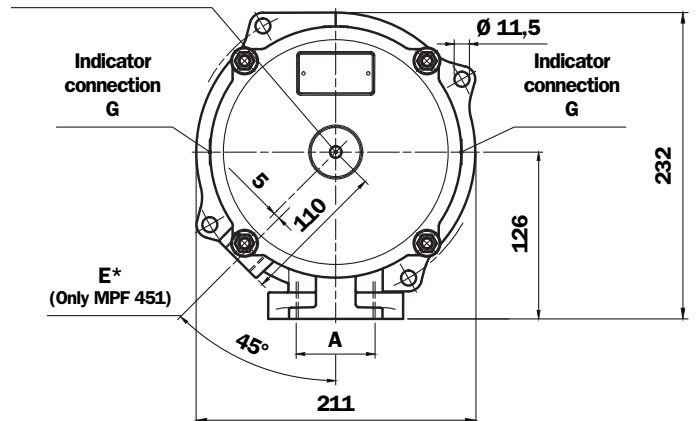
MPF 450/451



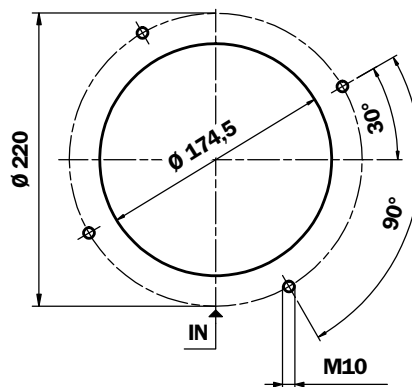
Indicator connection
G 1/8"



Indicator connection
G 1/8"



Holes on the tank



Thread connections
MPF 400

St.	A
G1	G 1 1/4"
G2	G 1 1/2"
G3	G 2"
G4	1 1/4" NPT
G5	1 1/2" NPT
G6	2" NPT
G7	SAE 20 1 5/8" 12 UN
G8	SAE 24 1 7/8" 12 UN
G9	SAE 32 2 1/2" 12 UN

MPF 400/450/451

Length Filter	H mm	H1 mm	Ø e mm
1	180	200	51
2	240	250	64
3	290	310	64

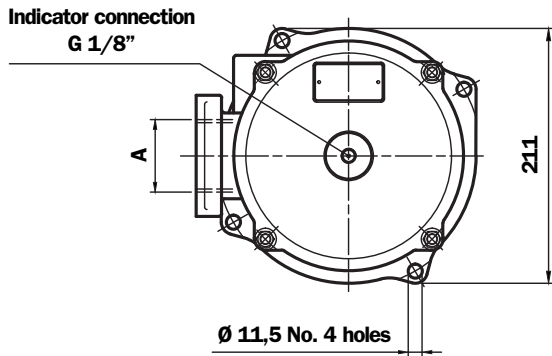
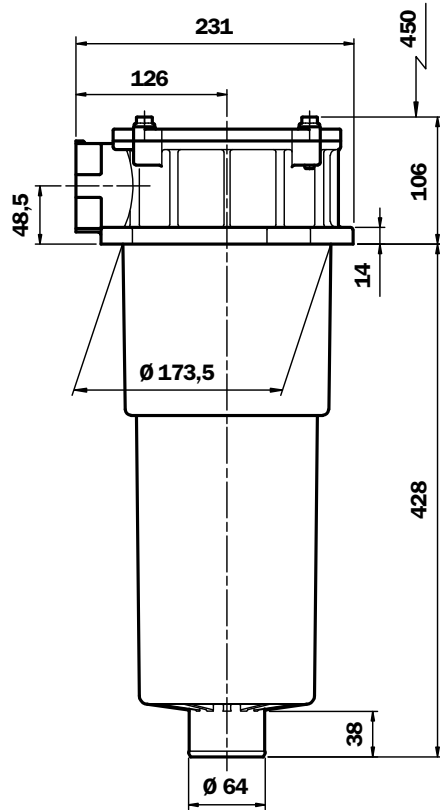
Thread connections MPF 450/451

St.	A	E*	G
G1	G 2"	G 3/4"	G 1/8"
G4	2" NPT	3/4" NPT	1/8" NPT
G7	SAE 32 2 1/2" 12 UN	SAE 12	1/8" NPT

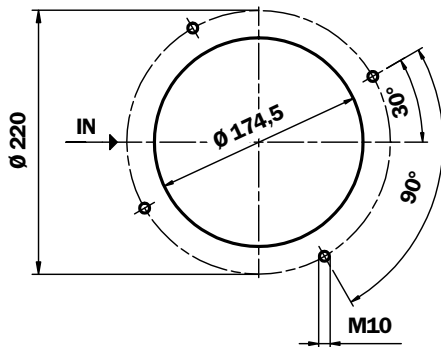
Flange connections MPF 450/451

St.	A	E*	G
F1	2" SAE 3000 psi/M	G 3/4"	G 1/8"
F2	2" SAE 3000 psi/UNC	3/4" NPT	1/8" NPT

MPF 750



Holes on the tank



Thread connections MPF 750

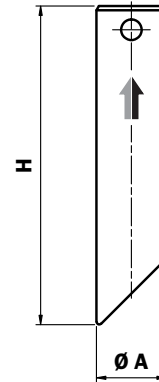
St.	A
G1	G 2"
G4	2" NPT
G7	SAE 32 2 1/2" 12 UN

Flange connections MPF 750

St.	A
F1	2" SAE - 3000 psi/M
F2	2" SAE - 3000 psi/UNC

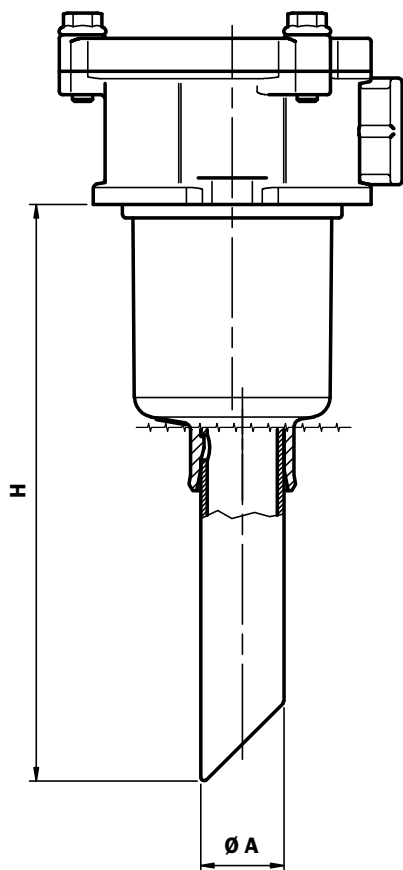
Accessories

Standard Nylon extension tube
Supplied not fitted



Code	H	Ø A	Size MPF (Option P01)	Filter Length
TE25A200	200	25	030	1
TE25A250	250			
TE25A300	300			
TE25A350	350			
TE25A400	400			
TE25A450	450			
TE25A500	500			
TE32A200	200	32	100 - 104	1 - 2
TE32A250	250			
TE32A300	300			
TE32A350	350			
TE32A400	400			
TE32A450	450			
TE32A500	500	40	100 - 104	3 - 4
TE40A200	200			
TE40A250	250			
TE40A300	300			
TE40A350	350		180 - 184	1 - 2
TE40A400	400			
TE40A450	450			
TE40A500	500			

**“H” Dimensions
Filter assembled with
Standard Nylon extension tube**



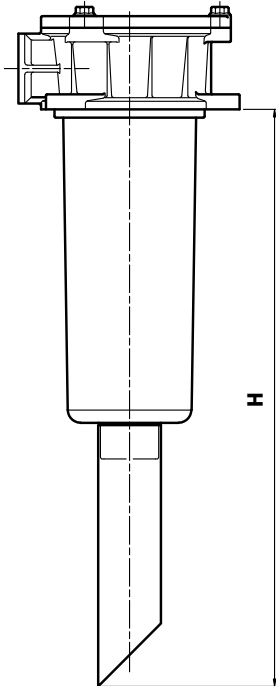
Tube extension Code	MPF...P01	Filter Length	H	Ø A
TE25A200	030	1	265	25
TE25A250			315	
TE25A300			365	
TE25A350			415	
TE25A400			465	
TE25A450			515	
TE25A500			565	
TE32A200	100 o 104	1	276	32
TE32A250		2	323	
		1	326	
TE32A300		2	373	
		1	376	
TE32A350		2	423	
		1	426	
TE32A400		2	473	
		1	476	
TE32A450		2	523	
		1	526	
TE32A500		2	573	
		1	576	
TE40A200		3	400	
	4	500		
	1	406		
	2	617		
	1	403		
	2	614		
TE40A250	3	450	40	
	4	550		
	1	456		
	2	667		
	1	453		
	2	664		
TE40A300	3	500	40	
	4	600		
	1	506		
	2	717		
	1	503		
	2	714		
TE40A350	3	550	40	
	4	650		
	1	556		
	2	767		
	1	553		
	2	764		
TE40A400	3	600	40	
	4	700		
	1	606		
	2	817		
	1	603		
	2	814		
TE40A450	3	650	40	
	4	750		
	1	656		
	2	867		
	1	653		
	2	864		
TE40A500	3	700	40	
	4	800		
	1	706		
	2	917		
	1	703		
	2	914		

Accessories

See ordering information: Option 9

Filter MPF.....Sxx

Filter assembly with Steel extension tube mounted (for filter size 190 to 750 only)



Series MPF	Filter Length
190/194	2
400/450/451	1 - 2 - 3
750	1

Code Options 9	H*
S25	250 mm
S30	300 mm
S35	350 mm
S40	400 mm
S.... mm

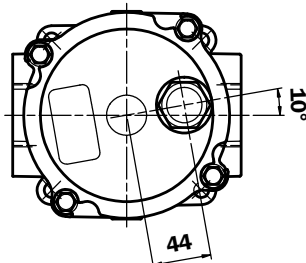
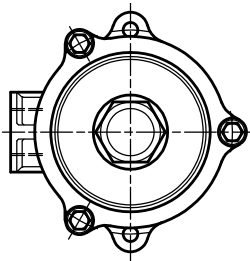
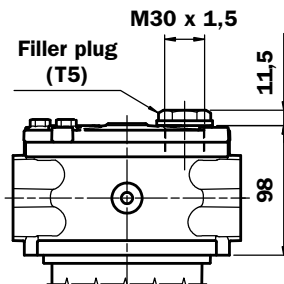
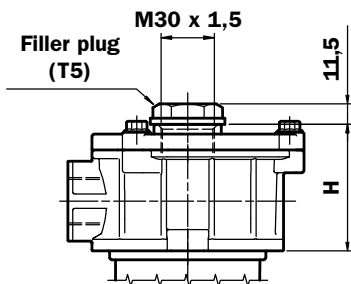
* Lengths are in multiple of 50 mm

Filter code example:

H length= 250 mm

MPF 400 1 x xx xxx x x S25

Filler Plug



Only size 184/194

Series MPF	H
030	66
100	72
104	72
180	80
190	80
400	86
450	106
451	106
750	95

Ordering example:

Filter with Filler Plug (page codes 18)

MPF 100 2 x H3 xxx x..

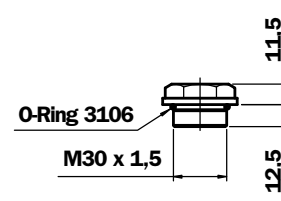
For filter sizes:

If plug is required, an indicator can not be fitted to the following sizes:

MPF 030 - 180 - 190 - 750

Filler plug

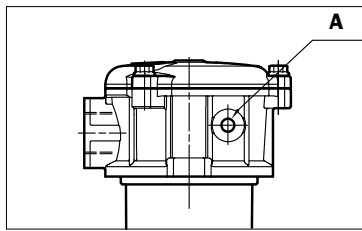
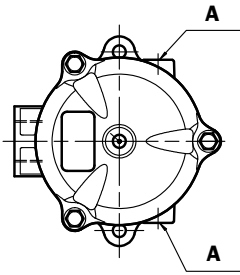
Code: **T5**



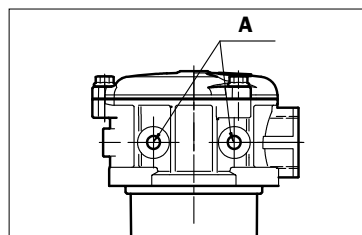
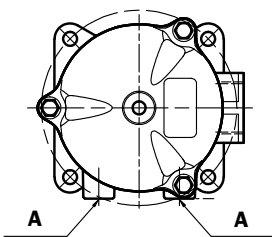
Connection options

Drain port 1/4"

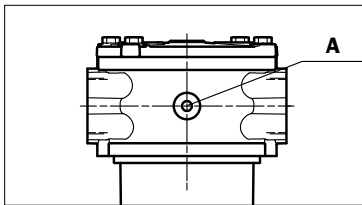
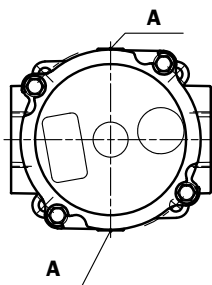
MPF 100



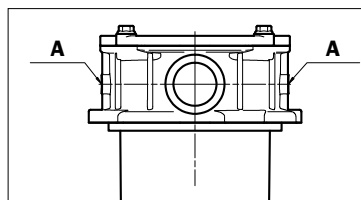
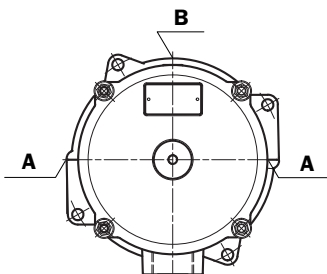
MPF 104



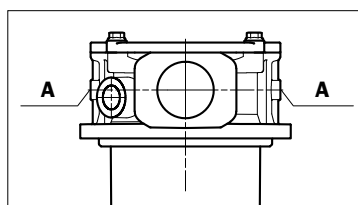
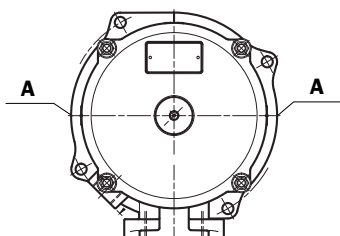
MPF 184/194



MPF 400



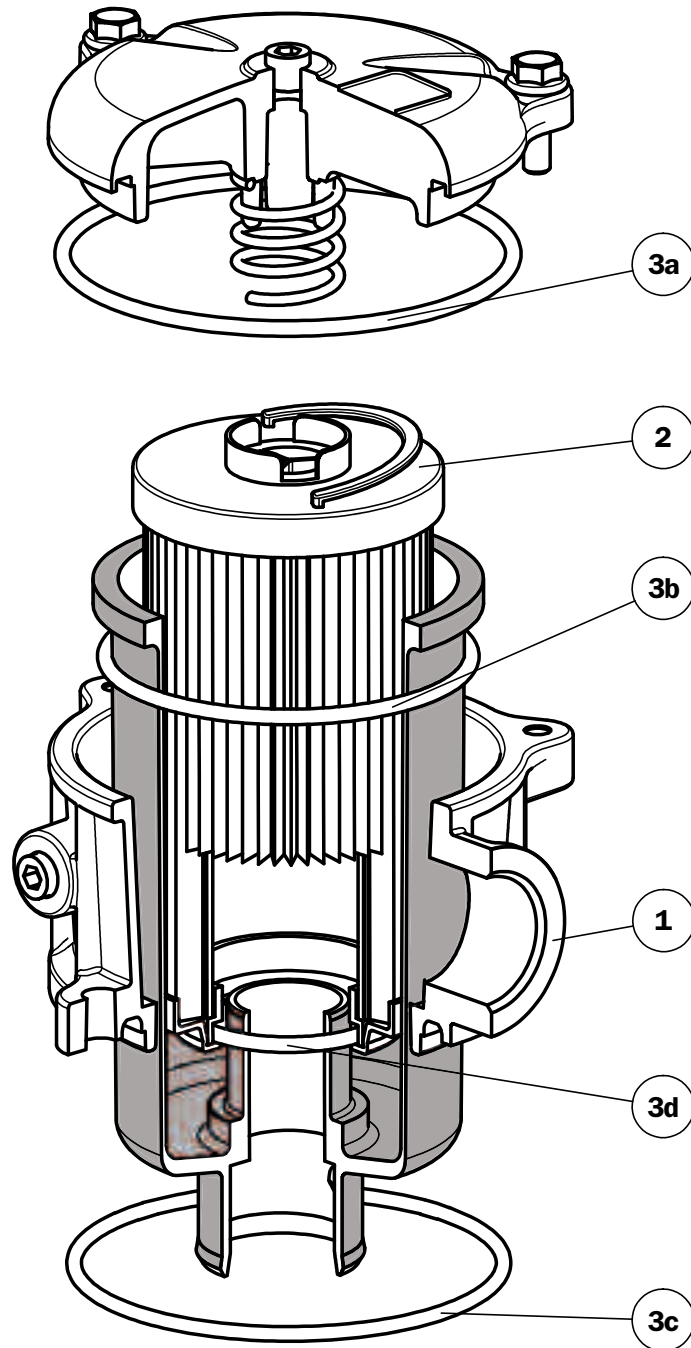
MPF 450/451



	Connections IN	A	B
MPF 100	G	G 1/4"	-
MPF 100	NPT - SAE	1/4" NPT	-
MPF 104	G	G 1/4"	-
MPF 104	NPT - SAE	1/4" NPT	-
MPF 184/194	G	G 1/4"	-
MPF 184/194	NPT - SAE	1/4" NPT	-
MPF 184/194	SAE 3000/M	G 1/4"	-
MPF 184/194	SAE 3000/UNC	1/4" NPT	-
MPF 400	G	G 1/4"	G 1/4"
MPF 400	NPT - SAE	1/4" NPT	1/4" NPT
MPF 450/451	G	G 1/4"	-
MPF 450/451	NPT - SAE	1/4" NPT	-
MPF 450/451	SAE 3000/M	G 1/4"	-
MPF 450/451	SAE 3000/UNC	1/4" NPT	-

Contact MP FILTRI for special ordering code

Spare parts



Spare parts

Pos.	Description	Qty	FILTER Series MPF							
			020		030		100		104	
1	Filter assembly	1	See order table							
2	Filter element	1	See order table							
3	Seal Kit	1	NBR 02050438	FPM 02050439	NBR 02050055	FPM 02050056	NBR 02050057	FPM 02050058	NBR 02050350	FPM 02050408
3a	Seal cover	1	O-R 174 Ø 71,44 x 3,53		O-R 174 Ø 71,44 x 3,53		O-R 4387 Ø 98,02 x 3,53		O-R 4387 Ø 98,02 x 3,53	
3b	Seal bowl	1	-		O-R 3225 Ø 56,82 x 2,62		O-R 4312 Ø 78,97 x 3,53		O-R 4312 Ø 78,97 x 3,53	
3c	Seal head	1	01026335	01026336	O-R 3275 Ø 69,52 x 2,62		O-R 6362 Ø 91,44 x 5,34		01026256	01026286
3d	Seal filter element	1	O-R 3093 Ø 23,47 x 2,62		O-R 3093 Ø 23,47 x 2,62		Length 1-2 O-R 4112 Ø 28,17 x 3,53 Length 3-4 O-R 4162 Ø 40,86 x 3,53		Length 1-2 O-R 4112 Ø 28,17 x 3,53 Length 3-4 O-R 4162 Ø 40,86 x 3,53	

Pos.	Description	Qty	FILTER Series MPF							
			180		184		190		194	
1	Filter assembly	1	See order table							
2	Filter element	1	See order table							
3	Seal Kit	1	NBR 02050059	FPM 02050060	NBR 02050455	FPM 02050456	NBR 02050457	FPM 02050458	NBR 02050459	FPM 02050460
3a	Seal cover	1	O-R 4537 Ø 136,10 x 3,53		O-R 4512 Ø 129,80 x 3,53		O-R 4537 Ø 136,10 x 3,53		O-R 4512 Ø 129,80 x 3,53	
3b	Seal bowl	1	O-R 4425 Ø 107,50 x 3,53		O-R 4425 Ø 107,50 x 3,53		O-R 6425 Ø 107,20 x 5,34		O-R 6425 Ø 107,20 x 5,34	
3c	Seal head	1	O-R 6535 Ø 135,89 x 5,34		O-R 210 Ø 133,40 x 5,34		O-R 6535 Ø 135,89 x 5,34		O-R 210 Ø 133,40 x 5,34	
3d	Seal filter element	1	O-R 4162 Ø 40,86 x 3,53		O-R 4162 Ø 40,86 x 3,53		O-R Metric Ø 50 x 4		O-R Metric Ø 50 x 4	

Pos.	Description	Qty	FILTER Series MPF					
			400		450 / 451		750	
1	Filter assembly	1	See order table					
2	Filter element	1	See order table					
3	Seal Kit	1	NBR 02050061	FPM 02050062	NBR 02050461	FPM 02050462	NBR 02050106	FPM 02050107
3a	Seal cover	1	O-R 4675 Ø 171 x 3,53		O-R 4675 Ø 171 x 3,53		O-R 4675 Ø 171 x 3,53	
3b	Seal bowl	1	O-R 221 Ø 149,20 x 5,34		O-R 221 Ø 149,20 x 5,34		O-R 221 Ø 149,20 x 5,34	
3c	Seal head	1	O-R 233 Ø 181 x 6,99		O-R 6720 Ø 183,51 x 5,34		O-R 6720 Ø 183,51 x 5,34	
3d	Seal filter element	1	Length 1 O-R 155 Ø 50,80 x 3,53 Length 2-3 O-R 168 Ø 65,09 x 3,53		Length 1 O-R 155 Ø 50,80 x 3,53 Length 2-3 O-R 168 Ø 65,09 x 3,53		O-R 168 Ø 65,09 x 3,53	

Ordering information MPF

Filter assembly

MPF

	1	2	3	4	5	6	8	9a
Example 1: MPF	100	2	A	G3	A06	H	B	P01
Example 2: MPF	190	2	V	G1	M25	N	E	S60

Filter element

MF

	1	2	5	6	7	8	9b
Example 1: MF	100	2	A06	H	B		P01
Example 2: MF	190	2	M25	N	V	E	P01

1 - Style

Filter	Filter element
020	030
030	030
100	100
104	104
180	180
184	184
190	190
194	194
400	400
450	450
451	451
750	750

2 - Filter length

020	1
030	1
100	1
104	2
180	1
184	2
190	2
194	2
400	1
450	2
451	3
750	1

3 - Filter seals & Treatment

A	NBR
V	FPM
W*	NBR, head anodized
Z*	FPM, head anodized

4 - Connections

Type		MPF						
		030	100/104	180/190	184/194	400	450/451	750
G1	H1	G 1/2"	G 1/2"	G 1 1/4"	G 1 1/4"	G 1 1/4"	G 2"	G 2"
G2	H2	-	G 3/4"	-	G 1 1/4"	G 1 1/2"	-	-
G3	H3	-	G 1"	-	-	G 2"	-	-
G4	H4	1/2" NPT	1/2" NPT	1 1/4" NPT	1 1/4" NPT	1 1/4" NPT	2" NPT	2" NPT
G5	H5	-	3/4" NPT	-	1 1/4" NPT	1 1/2" NPT	-	-
G6	H6	-	1" NPT	-	-	2" NPT	-	-
G7	H7	SAE 8	SAE 8	SAE 20	SAE 20	SAE 20	SAE 32	SAE 32
G8	H8	-	SAE 12	-	SAE 20	SAE 24	-	-
G9	H9	-	SAE 16	-	SAE 16	SAE 32	-	-
F1	K1	-	-	-	1 1/2" SAE	-	2" SAE	2" SAE
F2	K2	-	-	-	3000 PSI/M	-	3000 PSI/M	3000 PSI/M
F3	K3	-	-	-	1 1/2" SAE	-	2" SAE	2" SAE
F4	K4	-	-	-	3000 PSI/UNC	-	3000 PSI/UNC	3000 PSI/UNC

➔ Filter with filler plug (T5)

MP Filtri - The filter functions as described in this bulletin are valid exclusively for original MP Filtri filter elements and replacement parts. All rights reserved

The data in this publication are purely guideline. MP Filtri reserves the right to make changes to the models described herein at any time it deems fit in relation to technical or commercial requirements. The colours of the products shown on the cover are purely guideline. Copyright. All rights reserved.

Ordering information MPF

5 - Filter element

A03	Inorganic microfibre 3 μ	} Absolute filtration Inorganic Microfibre } βx (c) ≥ 1000
A06	Inorganic microfibre 6 μ	
A10	Inorganic microfibre 10 μ	
A16	Inorganic microfibre 16 μ	
A25	Inorganic microfibre 25 μ	
M25	Wire mesh	} Nominal Filtration Metal mesh
M60	Wire mesh	
M90	Wire mesh	
P10	Resin - Impregnated paper	} Nominal Filtration Cellulose
P25	Resin - Impregnated paper	

6 - Δp Filter element

N	Δp 10 bar (only for filter element type Pxx and Mxx)
H	Δp 10 bar (only for filter element type Axx)
W*	Δp 10 bar (only for filter element type Axx and Mxx)

* **Compatible with fluid HFA, HFB, HFC**

7 - Filter element

B	NBR
V	FPM

8 - By-pass valve

B	1.75 bar ± 10%
E	3 bar ± 10%

9 - Option

a) Filter

P01	MP Filtri standard
Sxx	Filter assembly with steel extension tube mounted (only for MPF190, 194, 400, 450, 451, 750)

b) Filter element

P01	MP Filtri standard
------------	--------------------

MP Filtri - The filter functions as described in this bulletin are valid exclusively for original MP Filtri filter elements and replacement parts. All rights reserved

The data in this publication are purely guideline. MP Filtri reserves the right to make changes to the models described herein at any time it deems fit in relation to technical or commercial requirements. The colours of the products shown on the cover are purely guideline. Copyright. All rights reserved.