

**S**ERIES

**NEW**  
**MPF 100 - 110**

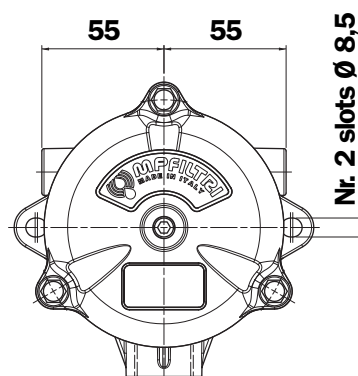
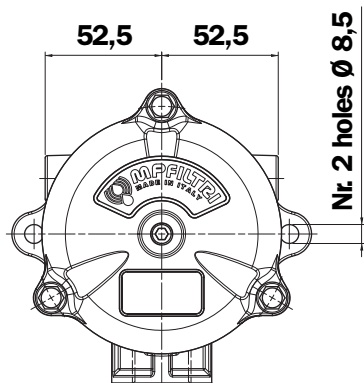
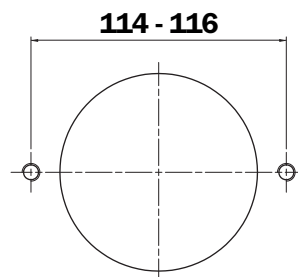
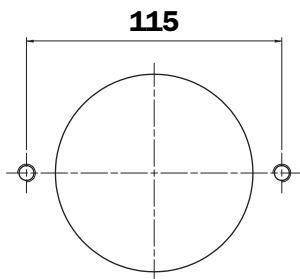
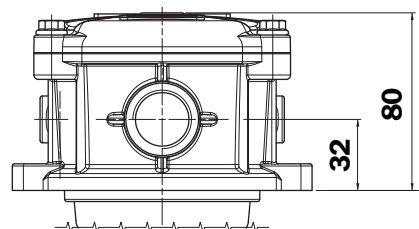
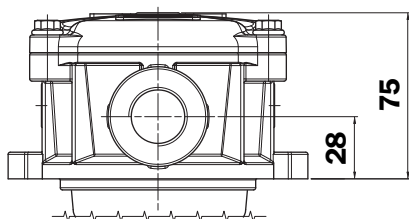
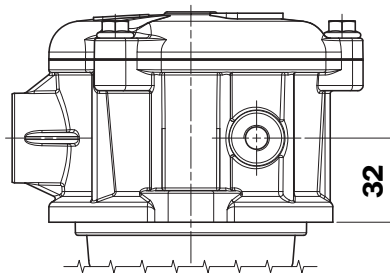
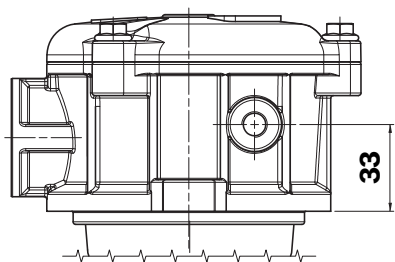


**Maximum pressure 8 bar**  
**Flow rates to 300 l/min**



# OLD MPF 100

# NEW MPF 100



Up to:  
G 1"  
1" NPT  
SAE 16

Up to:  
G 1 1/4"  
1 1/4" NPT  
SAE 20

# DIFFERENCE BETWEEN...

## OLD MPF 100

Connections up to 1"

Tank mounting holes 8 mm OD giving a fixed OD distance of 115 mm

## NEW MPF 100

Connections up to 1 1/4"  
increase in flow rate

Tank mounting holes - Slot fixing to the tank giving a fixing tolerance between 114-116 mm  
Drilling template flexible, less restrictive

NOT  
AVAILABLE

## NEW MPF 110

Second inlet connection 3/8" or 1/2"

Application flexibility

Cost reduction in the fittings or manifold

Connection up to 1 1/4"

Tank mounting holes - Slot fixing to the tank giving a fixing tolerance between 114-116 mm

Drilling template flexible, less restrictive



# Technical data

## MPF

### Filter housing (Materials)

- Head: Aluminium
- Cover: Zytel
- Aluminium

- Bowl: Nylon

### Pressure

- Working pressure: 8 bar (0,8 MPa)

### Temperature

- From -25°C to +110°C

### Bypass valve

- Opening pressure 3 bar  $\pm 10\%$
- Opening pressure 1,75 bar  $\pm 10\%$

### $\Delta p$ Elements type

- Series N and H elements: 10 bar
- Oil flow from exterior to interior

### Seals

- Standard NBR series A
- Optional FPM series V

### Weights (kg)

Length	1	2	3	4
• MPF 100	0,61	0,64	0,67	0,74
• MPF 110	0,64	0,68	0,71	0,78

### Volumes (dm<sup>3</sup>)

Length	1	2	3	4
• MPF 100	0,64	0,85	1,20	1,65
• MPF 110	0,64	0,85	1,20	1,65

### Compatibility

- Housings compatible with:  
Mineral oils to ISO 2943 - aqueous emulsions  
synthetic fluids, water and glycol.
- The filter elements are compatible with:  
Mineral oils to ISO 2943, Synthetic fluids  
Aqueous emulsions, water and glycol  
(series W required).
- NBR seals series A, compatible with:  
Mineral oils to ISO 2943 - aqueous emulsions  
synthetic fluids, water and glycol.
- FPM seals series V, compatible with:  
Synthetic fluids type HS-HFDR-HFDS-HFDU  
To ISO 2943

### Filter Element Area

#### Filter element in stainless steel mesh Length

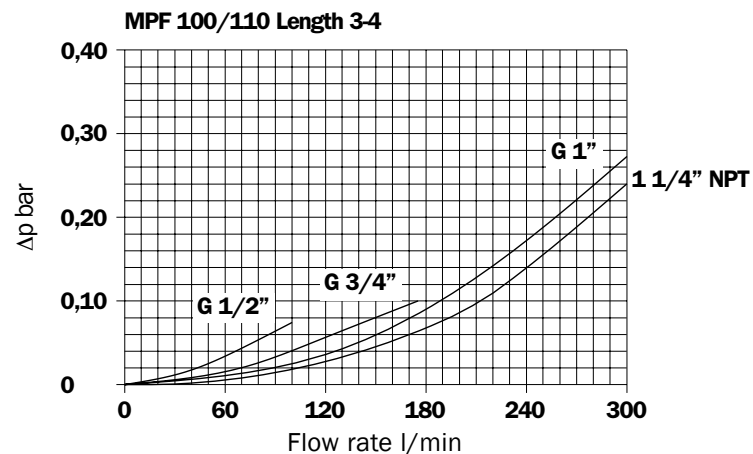
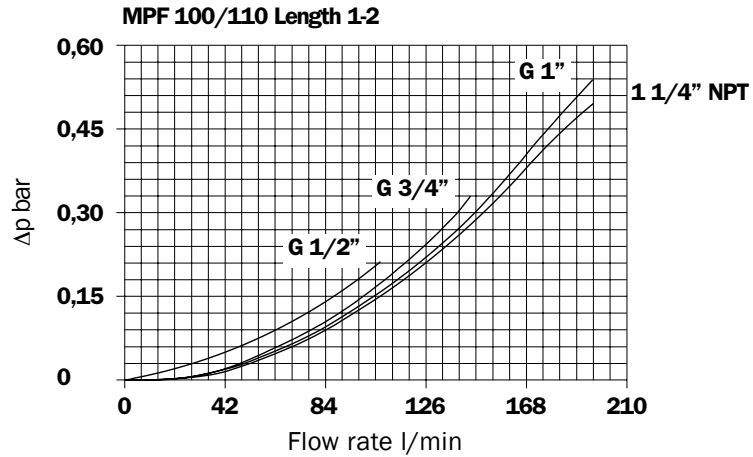
Type	1	2	3	4
MF 100	493	781	1286	1933

Values expressed in cm<sup>2</sup>

### Filter housings $\Delta p$ pressure drop

The curves are plotted utilising mineral oil with density of 0.86 kg/dm<sup>3</sup> to ISO 3968.

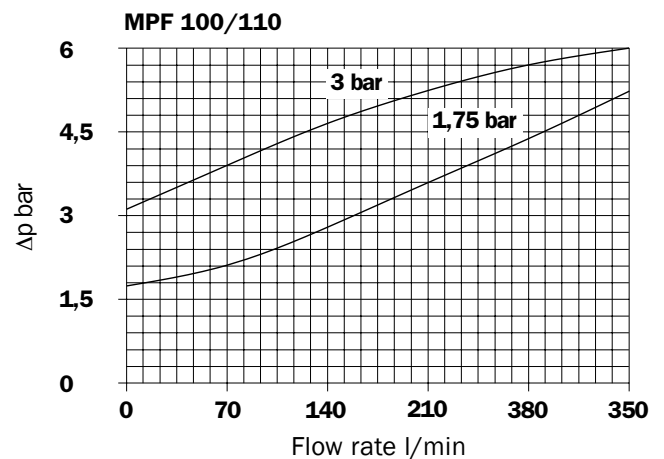
$\Delta p$  varies proportionally with density.



### Valves

#### Bypass valve pressure drop

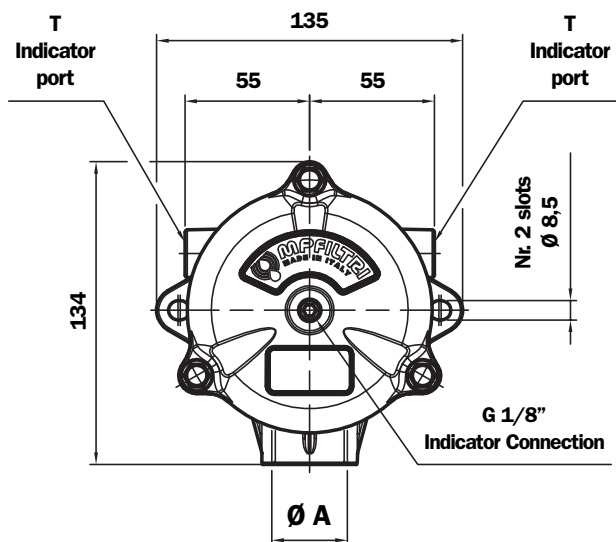
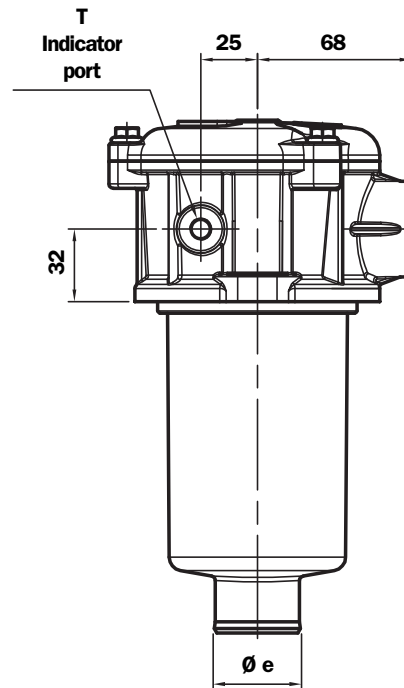
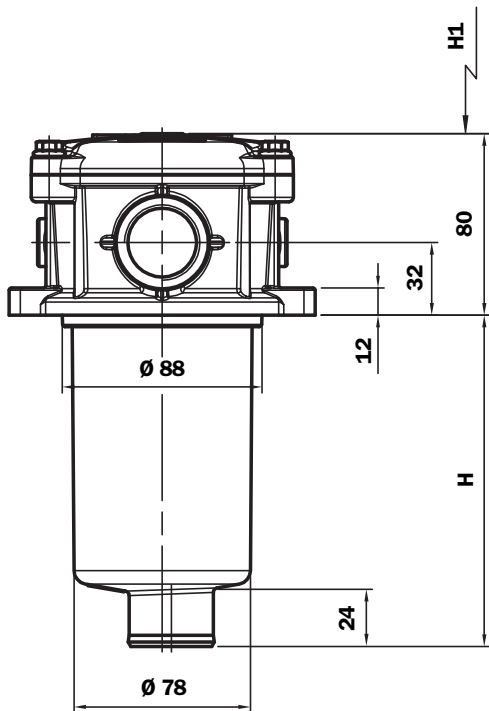
For individual filter:





# Dimensions

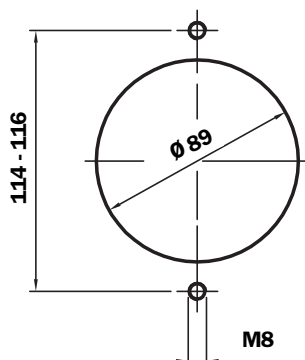
## MPF 100



### MPF 100

Length Filter	H mm	H1 mm	Ø e mm
1	99	120	38
2	146	170	38
3	224	250	46,5
4	326	350	46,5

### Holes on the tank

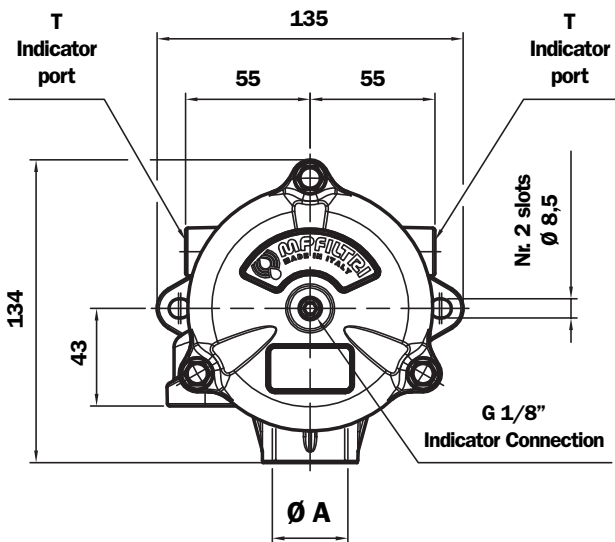
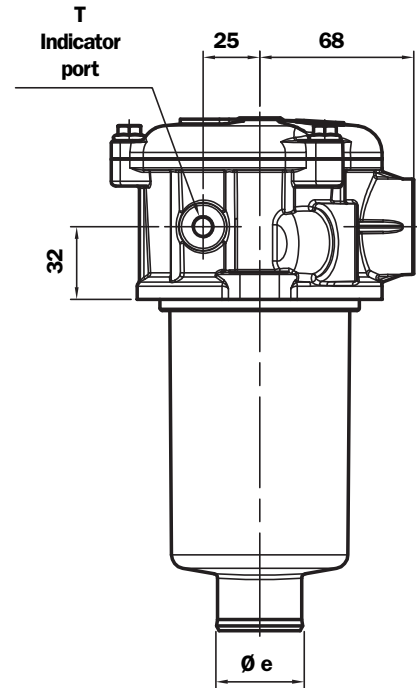
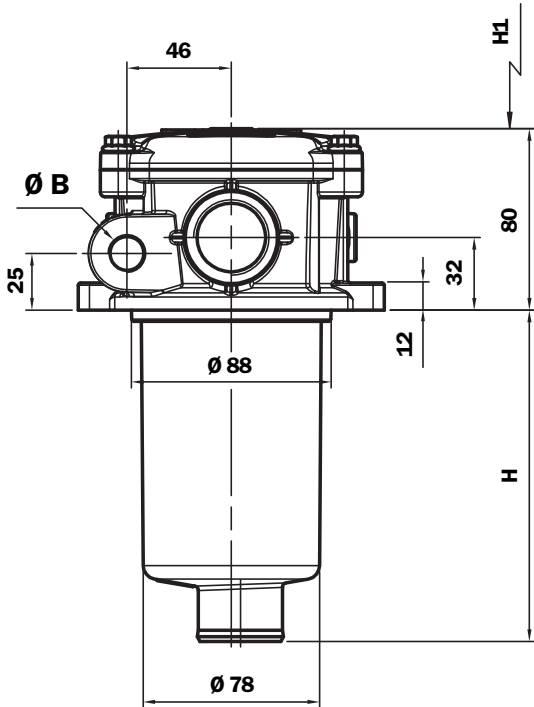


### Port "A"

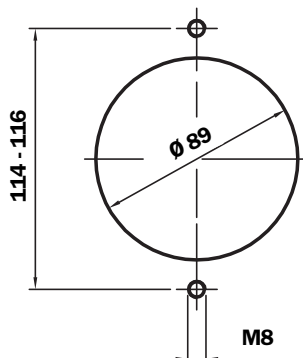
#### Thread connections

Indicator port T not machined	Indicator port		A
G1	C1 G 1/8"	D1 G 1/4"	G 1/2"
G2	C2 G 1/8"	D2 G 1/4"	G 3/4"
G3	C3 G 1/8"	D3 G 1/4"	G 1"
G10	C10 G 1/8"	D10 G 1/4"	G 1 1/4"
G4	C4 1/8" NPT	D4 1/4" NPT	1/2" NPT
G5	C5 1/8" NPT	D5 1/4" NPT	3/4" NPT
G6	C6 1/8" NPT	D6 1/4" NPT	1" NPT
G11	C11 1/8" NPT	D11 1/4" NPT	1 1/4" NPT
G7	C7 1/8" NPT	D7 1/4" NPT	SAE 8 3/4" 16 UNF
G8	C8 1/8" NPT	D8 1/4" NPT	SAE 12 1 1/16" 12 UN
G9	C9 1/8" NPT	D9 1/4" NPT	SAE 16 1 5/16" 12 UN
G12	C12 1/8" NPT	D12 1/4" NPT	SAE 20 1 5/8" 12 UN

# MPF 110



## Holes on the tank



## MPF 110

Length Filter	H mm	H1 mm	Ø e mm
1	99	120	38
2	146	170	38
3	224	250	46,5
4	326	350	46,5

## Port "A"

### Thread connections

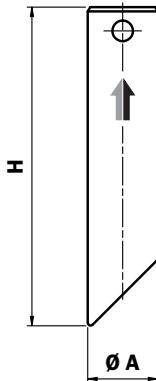
Indicator port		A		
G1	G 1/8"	D1	G 1/4"	G 1/2"
G2	G 1/8"	D2	G 1/4"	G 3/4"
G3	G 1/8"	D3	G 1/4"	G 1"
G10	G 1/8"	D10	G 1/4"	G 1 1/4"
G4	1/8" NPT	D4	1/4" NPT	1/2" NPT
G5	1/8" NPT	D5	1/4" NPT	3/4" NPT
G6	1/8" NPT	D6	1/4" NPT	1" NPT
G11	1/8" NPT	D11	1/4" NPT	1 1/4" NPT
G7	1/8" NPT	D7	1/4" NPT	SAE 8 3/4" 16 UNF
G8	1/8" NPT	D8	1/4" NPT	SAE 12 1 1/16" 12 UN
G9	1/8" NPT	D9	1/4" NPT	SAE 16 1 5/16" 12 UN
G12	1/8" NPT	D12	1/4" NPT	SAE 20 1 5/8" 12 UN

## Port "B"

Type	Primary Port type		
	G1 - G2 - G3 - G10 D1 - D2 - D3 - D10	G4 - G5 - G6 - G11 D4 - D5 - D6 - D11	G7 - G8 - G9 - G12 D7 - D8 - D9 - D12
0	not machined	not machined	not machined
1	G 3/8"	3/8" NPT	SAE 6
2	G 1/2"	1/2" NPT	SAE 8

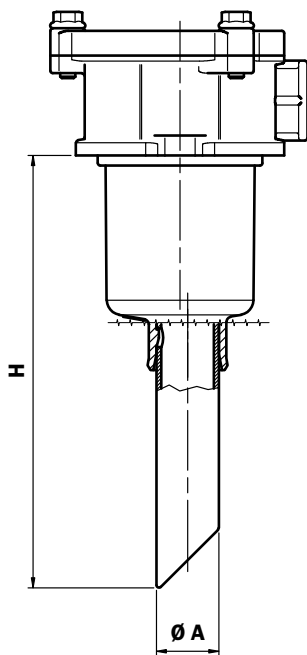
# Accessories

Standard Nylon extension tube  
Supplied not fitted



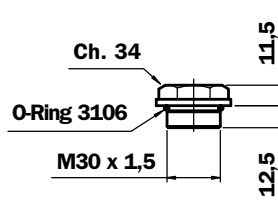
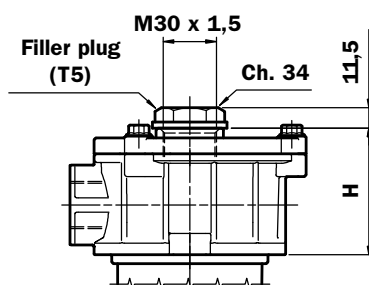
Code	H	Ø A	Size MPF (Option P01)	Filter Length
TE32A200	200	32	100 - 110	1 - 2
TE32A250	250			
TE32A300	300			
TE32A350	350			
TE32A400	400			
TE32A450	450			
TE32A500	500	40	100 - 110	3 - 4
TE40A200	200			
TE40A250	250			
TE40A300	300			
TE40A350	350			

"H" Dimensions  
Filter assembled with  
Standard Nylon extension tube



Tube extension Code	MPF...P01	Filter Length	H	Ø A
TE32A200	100 o 110	1	276	32
		2	323	
TE32A250		1	326	
		2	373	
TE32A300		1	376	
		2	423	
TE32A350		1	426	
		2	473	
TE32A400		1	476	
		2	523	
TE32A450	1	526		
	2	573		
TE32A500	1	576		
	2	623		
TE40A200	100 o 110	3	400	40
		4	500	
TE40A250		3	450	
		4	550	
TE40A300		3	500	
		4	600	
TE40A350		3	550	
		4	650	
TE40A400		3	600	
		4	700	
TE40A450		3	650	
		4	750	
TE40A500		3	700	
		4	800	

# Filler Plug



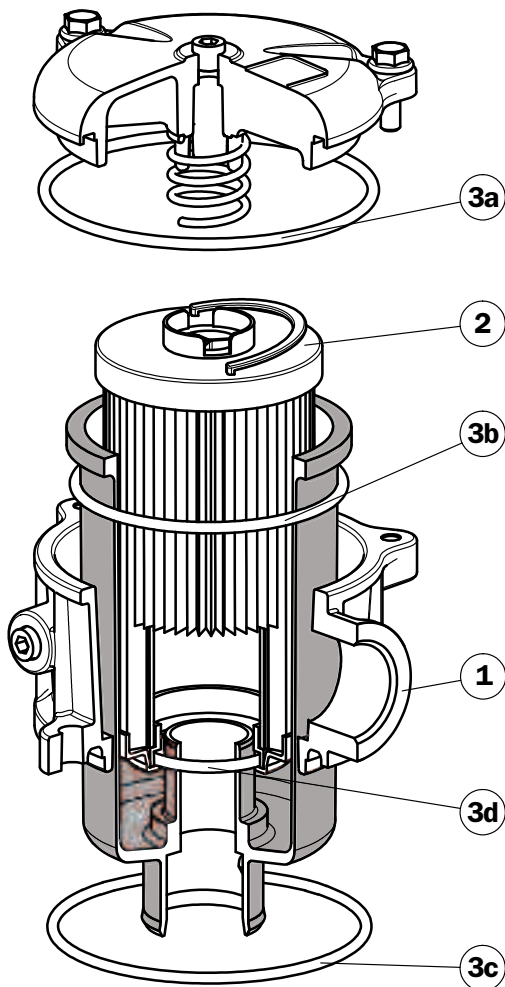
Filler plug  
Code: **T5**

Series MPF	H
100	72
110	72

Contact MP Filtri for  
special ordering code



# Spare parts



Pos.	Description	Qty	FILTER Series MPF			
			100		110	
1	Filter assembly	1	See order table			
2	Filter element	1	See order table			
3	Seal Kit	1	NBR 02050057	FPM 02050058	NBR 02050350	FPM 02050408
3a	Seal cover	1	O-R 4387 Ø 98,02 x 3,53		O-R 4387 Ø 98,02 x 3,53	
3b	Seal bowl	1	O-R 4312 Ø 78,97 x 3,53		O-R 4312 Ø 78,97 x 3,53	
3c	Seal head	1	O-R 6362 Ø 91,44 x 5,34		01026256	01026286
3d	Seal filter element	1	Length 1-2	O-R 4112 Ø 28,17 x 3,53	Length 1-2	O-R 4112 Ø 28,17 x 3,53
			Length 3-4	O-R 4162 Ø 40,86 x 3,53	Length 3-4	O-R 4162 Ø 40,86 x 3,53

## Reccommended maximum flow rate

- Pressure drop of filter assembly equal to  $\Delta p$  0,5 bar.

- Oil kinematic viscosity 30 mm<sup>2</sup>/s (cSt).

- Density 0,86 kg/dm<sup>3</sup>.

### Filtration

	Length	A03	A06	A10	A16	A25	P10	P25	M25	M60
<b>MPF100/110</b>	1	18	26	50	55	110	110	130	250	250
	2	31	40	80	90	160	170	190	360	360
	3	50	65	135	150	240	260	280	360	360
	4	93	110	190	220	275	300	330	380	380

Flow rate l/min

# Ordering information MPF 100

## Filter assembly MPF

	<b>1</b>	<b>2</b>	<b>3</b>	<b>4</b>	<b>5</b>	<b>6</b>	<b>8</b>	<b>9</b>
	<input type="checkbox"/>	<input type="checkbox"/>	<input type="checkbox"/>	<input type="checkbox"/>	<input type="checkbox"/>	<input type="checkbox"/>	<input type="checkbox"/>	<input type="checkbox"/>
<b>Example: MPF</b>	<b>100</b>	<b>2</b>	<b>A</b>	<b>G3</b>	<b>A06</b>	<b>H</b>	<b>B</b>	<b>P01</b>

## Filter element MF

	<b>1</b>	<b>2</b>	<b>5</b>	<b>6</b>	<b>7</b>	<b>8</b>	<b>9</b>
	<input type="checkbox"/>	<input type="checkbox"/>	<input type="checkbox"/>	<input type="checkbox"/>	<input type="checkbox"/>	<input type="checkbox"/>	<input type="checkbox"/>
<b>Example: MF</b>	<b>100</b>	<b>2</b>	<b>A06</b>	<b>H</b>	<b>B</b>		<b>P01</b>

### 1 - Style

Filter	Filter element
<input type="checkbox"/> <b>100</b>	<input type="checkbox"/> <b>100</b>

### 2 - Filter length

<input type="checkbox"/> <b>100</b>	<input type="checkbox"/> <b>1</b>	<input type="checkbox"/> <b>2</b>	<input type="checkbox"/> <b>3</b>	<input type="checkbox"/> <b>4</b>
-------------------------------------	-----------------------------------	-----------------------------------	-----------------------------------	-----------------------------------

### 3 - Filter seals & Treatment

<input type="checkbox"/> <b>A</b>	NBR
<input type="checkbox"/> <b>V</b>	FPM
<input type="checkbox"/> <b>W*</b>	NBR, head anodized
<input type="checkbox"/> <b>Z*</b>	FPM, head anodized

### 5 - Filter element

<input type="checkbox"/> <b>A03</b>	Inorganic microfibre 3 $\mu$	Absolute filtration Inorganic Microfibre  $\beta_x(c) \geq 1000$
<input type="checkbox"/> <b>A06</b>	Inorganic microfibre 6 $\mu$	
<input type="checkbox"/> <b>A10</b>	Inorganic microfibre 10 $\mu$	
<input type="checkbox"/> <b>A16</b>	Inorganic microfibre 16 $\mu$	
<input type="checkbox"/> <b>A25</b>	Inorganic microfibre 25 $\mu$	
<input type="checkbox"/> <b>M25</b>	Wire mesh	Nominal Filtration Metal mesh
<input type="checkbox"/> <b>M60</b>	Wire mesh	
<input type="checkbox"/> <b>M90</b>	Wire mesh	
<input type="checkbox"/> <b>P10</b>	Resin - Impregnated paper	Nominal Filtration Cellulose
<input type="checkbox"/> <b>P25</b>	Resin - Impregnated paper	

### 6 - $\Delta p$ Filter element

<input type="checkbox"/> <b>N</b>	$\Delta p$ 10 bar (only for filter element type Pxx and Mxx)
<input type="checkbox"/> <b>H</b>	$\Delta p$ 10 bar (only for filter element type Axx)
<input type="checkbox"/> <b>W*</b>	$\Delta p$ 10 bar (only for filter element type Axx and Mxx)

\* Compatible with fluid HFA, HFB, HFC

### 4 - Connection

Indicator port not machined	Indicator port		A
<b>G1</b>	<b>C1</b> G 1/8"	<b>D1</b> G 1/4"	G 1/2"
<b>G2</b>	<b>C2</b> G 1/8"	<b>D2</b> G 1/4"	G 3/4"
<b>G3</b>	<b>C3</b> G 1/8"	<b>D3</b> G 1/4"	G 1"
<b>G10</b>	<b>C10</b> G 1/8"	<b>D10</b> G 1/4"	G 1 1/4"
<b>G4</b>	<b>C4</b> 1/8" NPT	<b>D4</b> 1/4" NPT	1/2" NPT
<b>G5</b>	<b>C5</b> 1/8" NPT	<b>D5</b> 1/4" NPT	3/4" NPT
<b>G6</b>	<b>C6</b> 1/8" NPT	<b>D6</b> 1/4" NPT	1" NPT
<b>G11</b>	<b>C11</b> 1/8" NPT	<b>D11</b> 1/4" NPT	1 1/4" NPT
<b>G7</b>	<b>C7</b> 1/8" NPT	<b>D7</b> 1/4" NPT	SAE 8 3/4" 16 UNF
<b>G8</b>	<b>C8</b> 1/8" NPT	<b>D8</b> 1/4" NPT	SAE 12 1 1/16" 12 UN
<b>G9</b>	<b>C9</b> 1/8" NPT	<b>D9</b> 1/4" NPT	SAE 16 1 5/16" 12 UN
<b>G12</b>	<b>C12</b> 1/8" NPT	<b>D12</b> 1/4" NPT	SAE 20 1 5/8" 12 UN

### 7 - Filter element

<input type="checkbox"/> <b>B</b>	NBR
<input type="checkbox"/> <b>V</b>	FPM

### 8 - By-pass valve

<input type="checkbox"/> <b>E</b>	3 bar $\pm$ 10%
<input type="checkbox"/> <b>B</b>	1.75 bar $\pm$ 10% (Omit in the element code - only for 1.75 bar)

### 9 - Option

<input type="checkbox"/> <b>P01</b>	MP Filtri standard
-------------------------------------	--------------------

**For Clogging Indicator see catalogue "RETURN FILTER"**

**MP Filtri** - The filter functions as described in this bulletin are valid exclusively for original MP Filtri filter elements and replacement parts. All rights reserved

The data in this publication are purely guideline. MP Filtri reserves the right to make changes to the models described herein at any time it deems fit in relation to technical or commercial requirements. The colours of the products shown on the cover are purely guideline. Copyright. All rights reserved.

# Ordering information MPF 110

## Filter assembly MPF

	<b>1</b>	<b>2</b>	<b>3</b>	<b>4</b>	<b>5</b>	<b>6</b>	<b>8</b>	<b>9</b>	<b>10</b>
	<input type="checkbox"/>	<input type="checkbox"/>	<input type="checkbox"/>	<input type="checkbox"/>	<input type="checkbox"/>	<input type="checkbox"/>	<input type="checkbox"/>	<input type="checkbox"/>	<input type="checkbox"/>
<b>Example: MPF</b>	<b>110</b>	<b>2</b>	<b>A</b>	<b>G3</b>	<b>1</b>	<b>A06</b>	<b>H</b>	<b>B</b>	<b>P01</b>

## Filter element MF

	<b>1</b>	<b>2</b>	<b>6</b>	<b>7</b>	<b>8</b>	<b>9</b>	<b>10</b>
	<input type="checkbox"/>	<input type="checkbox"/>	<input type="checkbox"/>	<input type="checkbox"/>	<input type="checkbox"/>	<input type="checkbox"/>	<input type="checkbox"/>
<b>Example: MF</b>	<b>100</b>	<b>2</b>	<b>A06</b>	<b>H</b>	<b>B</b>		<b>P01</b>

### 1 - Style

Filter	Filter element
<b>110</b>	<b>100</b>

### 2 - Filter length

<b>110</b>	<b>1</b>	<b>2</b>	<b>3</b>	<b>4</b>
------------	----------	----------	----------	----------

### 3 - Filter seals & Treatment

<b>A</b>	NBR
<b>V</b>	FPM
<b>W*</b>	NBR, head anodized
<b>Z*</b>	FPM, head anodized

### 4 - Connection Port "A"

Indicator port		A	
<b>G1</b>	G 1/8"	<b>D1</b>	G 1/4"
<b>G2</b>	G 1/8"	<b>D2</b>	G 1/4"
<b>G3</b>	G 1/8"	<b>D3</b>	G 1/4"
<b>G10</b>	G 1/8"	<b>D10</b>	G 1/4"
<b>G4</b>	1/8" NPT	<b>D4</b>	1/4" NPT
<b>G5</b>	1/8" NPT	<b>D5</b>	1/4" NPT
<b>G6</b>	1/8" NPT	<b>D6</b>	1/4" NPT
<b>G11</b>	1/8" NPT	<b>D11</b>	1/4" NPT
<b>G7</b>	1/8" NPT	<b>D7</b>	1/4" NPT
<b>G8</b>	1/8" NPT	<b>D8</b>	1/4" NPT
<b>G9</b>	1/8" NPT	<b>D9</b>	1/4" NPT
<b>G12</b>	1/8" NPT	<b>D12</b>	1/4" NPT

### 5 - Connection Port "B"

Type	Primary Port type		
	G1 - G2 - G3 - G10 D1 - D2 - D3 - D10	G4 - G5 - G6 - G11 D4 - D5 - D6 - D11	G7 - G8 - G9 - G12 D7 - D8 - D9 - D12
<b>0</b>	not machined	not machined	not machined
<b>1</b>	G 3/8"	3/8" NPT	SAE 6
<b>2</b>	G 1/2"	1/2" NPT	SAE 8

### 6 - Filter element

<b>A03</b>	Inorganic microfibre 3 μ	Absolute filtration Inorganic Microfibre βx (c) ≥ 1000
<b>A06</b>	Inorganic microfibre 6 μ	
<b>A10</b>	Inorganic microfibre 10 μ	
<b>A16</b>	Inorganic microfibre 16 μ	
<b>A25</b>	Inorganic microfibre 25 μ	
<b>M25</b>	Wire mesh	Nominal Filtration Metal mesh
<b>M60</b>	Wire mesh	
<b>M90</b>	Wire mesh	
<b>P10</b>	Resin - Impregnated paper	Nominal Filtration Cellulose
<b>P25</b>	Resin - Impregnated paper	

### 7 - Δp Filter element

<b>N</b>	Δp 10 bar (only for filter element type Pxx and Mxx)
<b>H</b>	Δp 10 bar (only for filter element type Axx)
<b>W*</b>	Δp 10 bar (only for filter element type Axx and Mxx)

\* Compatible with fluid HFA, HFB, HFC

### 8 - Filter element

<b>B</b>	NBR
<b>V</b>	FPM

### 9 - By-pass valve

<b>E</b>	3 bar ± 10%
<b>B</b>	1.75 bar ± 10% (Omit in the element code - only for 1.75 bar)

### 10 - Option

<b>P01</b>	MP Filtri standard
------------	--------------------

**For Clogging Indicator see catalogue "RETURN FILTER"**

**MP Filtri** - The filter functions as described in this bulletin are valid exclusively for original MP Filtri filter elements and replacement parts. All rights reserved

The data in this publication are purely guideline. MP Filtri reserves the right to make changes to the models described herein at any time it deems fit in relation to technical or commercial requirements. The colours of the products shown on the cover are purely guideline. Copyright. All rights reserved.



**New Headquarter:**

**MP FILTRI S.p.A. Italy**

Via 1° Maggio, n. 3  
20060 Pessano con Bornago  
(Milano) Italy  
Tel. +39.02/95703.1  
Fax +39.02/95741497-95740188  
email: sales@mpfiltri.com  
<http://www.mpfiltri.com>

**GREAT BRITAIN**

**MP FILTRI U.K. Ltd.**

Bourton Industrial Park  
Bourton on the Water  
Gloucestershire GL54 2HQ UK  
Phone: +44.01451-822522  
Fax: +44.01451-822282  
email: sales@mpfiltri.co.uk  
<http://www.hydraulicparticlecounter.com>  
<http://www.mpfiltri.com>

**GERMANY**

**MP FILTRI D GmbH**

Am Wasserturm 5  
D-66265 Heusweiler/Holz  
Phone: +49.06806-85022.0  
Fax: +49.06806-85022.18  
email: service@mpfiltri.de  
<http://www.mpfiltri.com>

**FRANCE**

**MP FILTRI FRANCE Sas**

Parc d'activités des Chanteraines  
8 rue du Commandant d'Estienne  
d'Orves, Immeuble D3  
92396 Villeneuve la Garenne - France  
Phone: +33(0)1.40.86.47.00  
Fax: +33(0)1.40.86.47.09  
e-mail: sales@mpfiltrifrance.com  
<http://www.mpfiltri.com>

**USA**

**MP FILTRI USA Inc.**

2055 Quaker Pointe Drive  
Quakertown, PA 18951  
Phone: +1.215-529-1300  
Fax: +1.215-529-1902  
email: sales@mpfiltriusa.com  
<http://www.mpfiltriusa.com>

**CANADA**

**MP FILTRI CANADA Inc.**

380 Four Valley Drive Concord  
Ontario Canada L4K 5Z1  
Phone: +1.905-303-1369  
Fax: +1.905-303-7256  
email: mail@mpfiltricanada.com  
<http://www.mpfiltricanada.com>

**RUSSIAN FEDERATION**

**MP FILTRI RUSSIA**

Phone/Fax: +7(495)220-94-60  
P.O. Box 44 127562 Moscow, Russia  
email: mpfiltrirusia@yahoo.com  
<http://www.mpfiltri.ru>

**CHINA**

**MP FILTRI (Shanghai) Co. Ltd.**

1280 Lianxi Road, 8 Bld - 2 Floor  
Shanghai, Pudong  
201204 P.R. China  
Phone: + 86.21-58919916  
Fax: + 86.21-58919667  
email: sales@mpfiltrishanghai.com  
<http://www.mpfiltri.com>

**INDIA & UAE**

**MP FILTRI INDIA & UAE**

Phone: +91.9945599899  
e-mail: s.mishra@mpfiltri.com  
<http://www.mpfiltri.com>