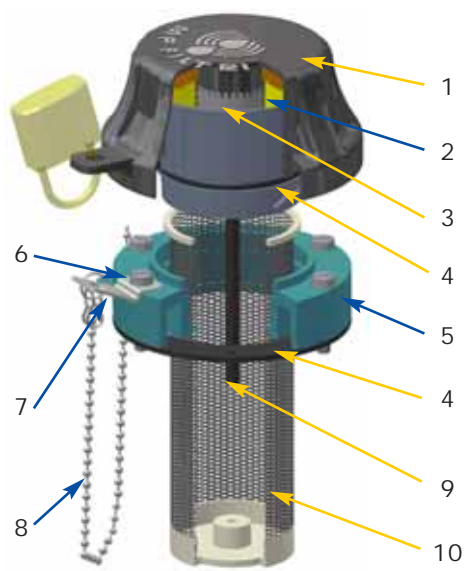


Series TAP 90

Nylon filler /
breather caps



TAP90 (Materials)

- 1 - Cover/ringnut: Nylon
- 2 - Breather filter: Resin impregnated cellulose
Polyurethane
- 3 - Pressurization valve:
Nylon
Galvanized Steel
NBR
- 4 - Seal: NBR
- 5 - Flange B: Nylon
- 6 - Screws: Galvanized Steel
- 7 - Padlock hasp: Galvanized Steel
- 8 - Chain, ring: Brass
- 9 - Dipstick: Phosphated steel
- 10 - Strainer: Galvanized Steel/Nylon

Flow rates with Δp : 0.30 psi

Filtration	cfm
3 μm	16
10 μm	19

Weight

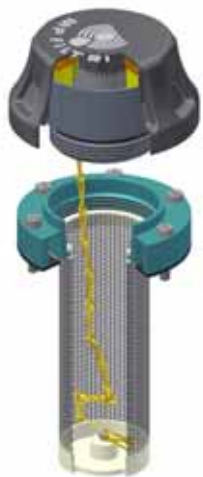
Strainer L 4.8": 0.40 lbs
Strainer L 10": 0.46 lbs

TAP90 B.....
Flange with
bayonet connection



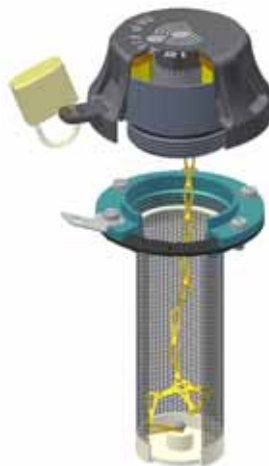
External chain

TAP90 R.....
Flange with
M52x2 connection



Internal chain

TAP90 F.....
Flange with spigot
DIN 24557 Connection
M52x2



Internal chain

TAP90 C.....
Weld riser
Connection
M52x2



Weld riser in
galvanized steel,
internal chain

TAP90 B-C-R-F
With dipstick



TAP90 B-C-R-F
Closed filler cap without
filter element

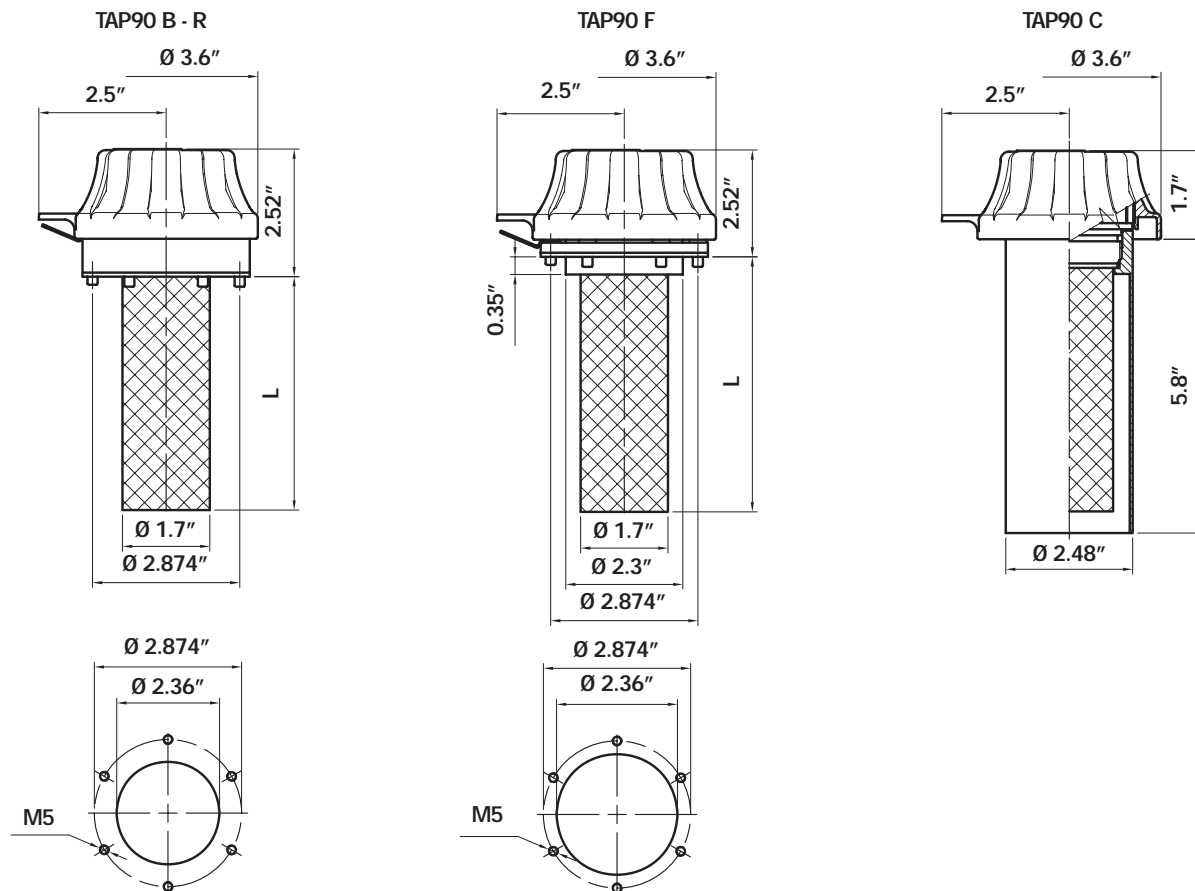


TAP90 B-C-R-F
Filler cap with filter
element



TAP90 B-C-R-F
Filler cap with
pressurization valve





Filler series

TAP90

Example: TAP90

	1	2	3	4	5	6	7
	<input type="checkbox"/>	<input type="checkbox"/>	<input type="checkbox"/>	<input type="checkbox"/>	<input type="checkbox"/>	<input type="checkbox"/>	<input type="checkbox"/>
Example: TAP90	B	03	A	1	0	5	P01

1 - Connection to reservoir

B	Flange with bayonet connection
C	Weld riser (M52X2 version only)
F	Flange with threaded M52x2 connection Spigot Ø 60 (DIN 24557)
R	Flange with M52X2 threaded connection

2 - Filter element

00	Without filter (Blank filler cap)
03	3 µm
10	10 µm

3 - Seals

A	NBR
----------	-----

4 - Valves

0	Without
1	4.5 psi pressurization valve
2	10 psi pressurization valve

In the version with chain the L= 4.8" strainer features a press fitting.

5 - Variations

O	Standard
L	With Padlock Hasp
A	With Dipstick
C	With Chain external for connection B With Chain internal for connection C-F-R (with strainer only)
D	With Padlock Hasp and external chain for cap retention B With Padlock Hasp and internal chain for cap retention C-F-R (with strainer only)
E	Dipstick and chain external (only connection B)
F	Dipstick and Padlock Hasp
G	Dipstick, Padlock Hasp and chain external (only connection B)

6 - Strainer

0	Without strainer
1	L= 4.8"
3	L= 10"

Stainless steel strainer on request

7 - Options

P01	MP Standard
------------	-------------

Ordering information