

# Series SAP 115

Nylon air breather filter



Clogging indicator  
 Set pressure: -0.062 bar  $\pm$  10%  
 Manual reset

### SAP115 (Materials)

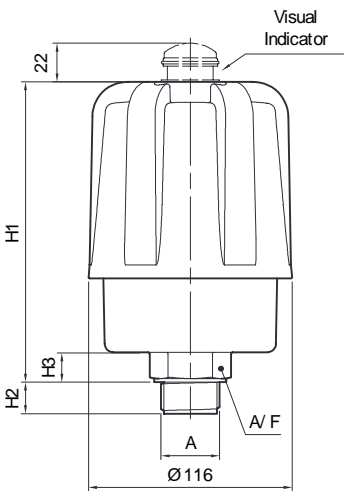
- 1 - Cover: Nylon
- 2 - Filter element: Microfibre  
Impregnated paper
- 3 - Connection: Nylon
- 4 - Seals: NBR  
FPM

### Weight

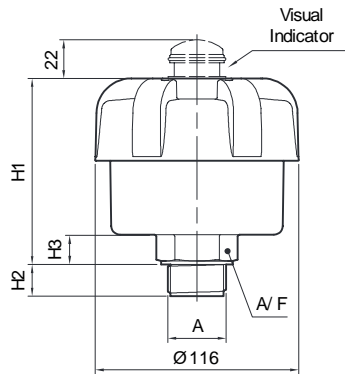
SAP 115 1: 0,410 Kg  
 SAP 115 2: 0,525 Kg

## Dimensions

SAP 115 2



SAP 115 1



SAP 115 1 - Dimension

Connection	A	A/ F	H1	H2	H3
A	G1"	41	106	18	17
B	M33x2	41	106	18	17
C	G1 1/2"	55	111	23	22

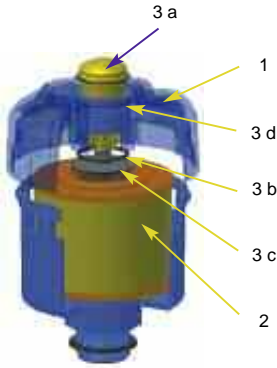
SAP 115 2 - Dimension

Connection	A	A/ F	H1	H2	H3
A	G1"	41	171	18	17
B	M33x2	41	171	18	17
C	G1 1/2"	55	176	23	22

Flow rate with  $\Delta p$ : 0,02 bar

Connection	Filtration	l <sub>v</sub> / min	
		SAP 115 1	SAP 115 2
G1" M33x2	L10	2170	2800
	A03	1830	2800
G1 1/2"	L10	2330	3000
	A03	1995	3000

# Spare parts



TAP SAP 115 spare parts

Item.	Description	Q.ty	Filler cap series SAP 115	
			NBR 02005187	FPM 02005188
1	Complete filler cap	1	See order table	
2	Filter Element	1	See order table	
3	Indicator kit	1		
3a	Visual indicator	1	S62P01	
3b	Seal	1	OR3106 Ø26,64 X2,62	
3c	Indicator securing screw	1	01022670	
3d	O-R indicator	1	OR2112 Ø28,3 x 1,78	

## Changing the filter element in SAP 115 series filler caps

- 1 Thoroughly clean the filler cap and adjacent parts.
- 2 Unscrew and raise the cover.
- 3 Replace the filter element.
- 4 Screw the cover.



## Ordering information

### Breather filter SAP115

Example: SAP115

1	2	3	4	5	6	7
<input type="checkbox"/>	<input type="checkbox"/>	<input type="checkbox"/>	<input type="checkbox"/>	<input type="checkbox"/>	<input type="checkbox"/>	<input type="checkbox"/>
2	A	A03	A	1	B	P01

### Filter element A115

Example: A115

1	3	7
<input type="checkbox"/>	<input type="checkbox"/>	<input type="checkbox"/>
2	A03	P01

#### 1 - Length

<input type="checkbox"/> 1
<input type="checkbox"/> 2

#### 2 - Connection

<input type="checkbox"/> A	G 1"
<input type="checkbox"/> B	M33x2
<input type="checkbox"/> C	G 1 1/2"

#### 3 - Filter element

<input type="checkbox"/> A03	3 µm - Microfibre
<input type="checkbox"/> L10	10 µm - Impregnated paper

#### 4 - Seal

<input type="checkbox"/> A	NBR
<input type="checkbox"/> V	FPM

#### 5 - Variants

<input type="checkbox"/> 0	Standard
<input type="checkbox"/> 1	With anti-splash feature

#### 6 - Clogging indicator

<input type="checkbox"/> A	Without
<input type="checkbox"/> B	Visual indicator

#### 7 - Options

<input type="checkbox"/> P01	MP Filtri standard
------------------------------	--------------------